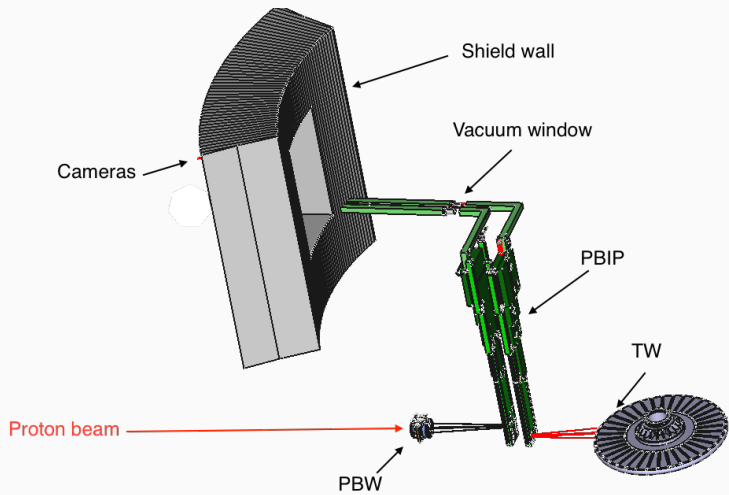


Target imaging systems

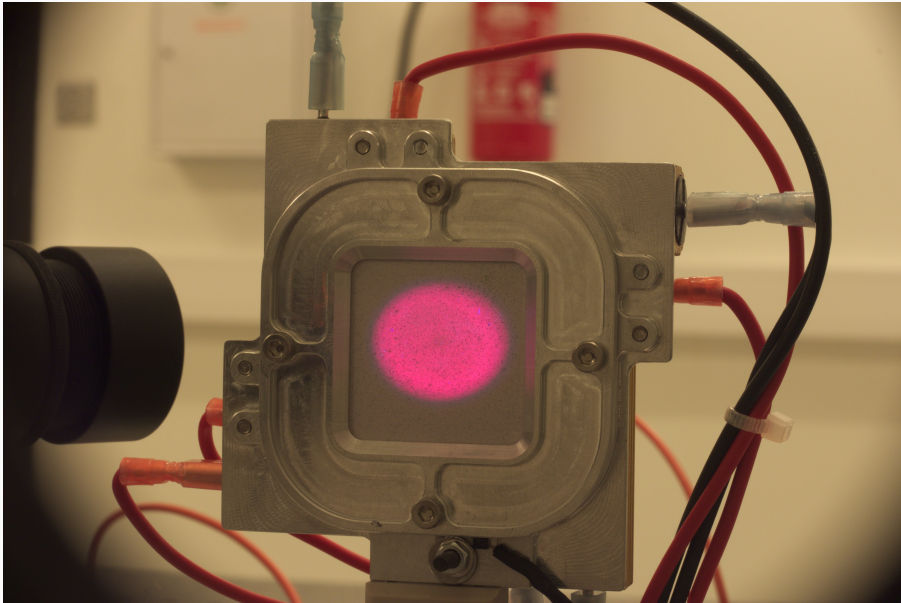
Håvard Gjersdal

2018-11-21

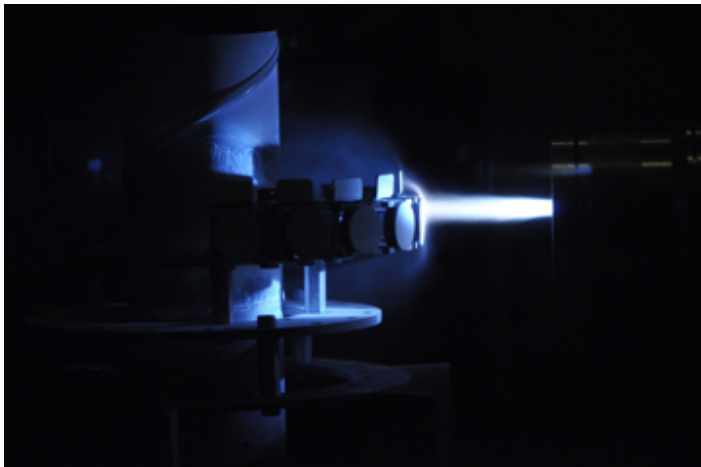
University of Oslo



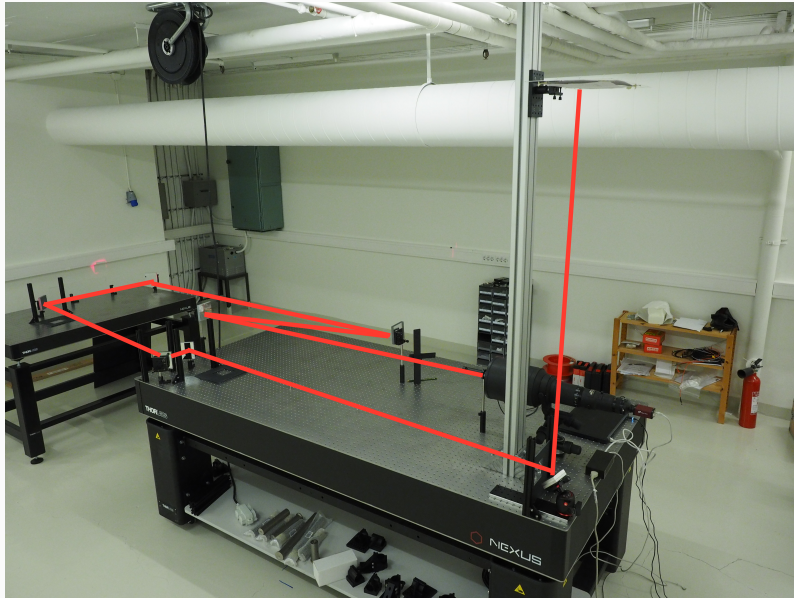
Light source

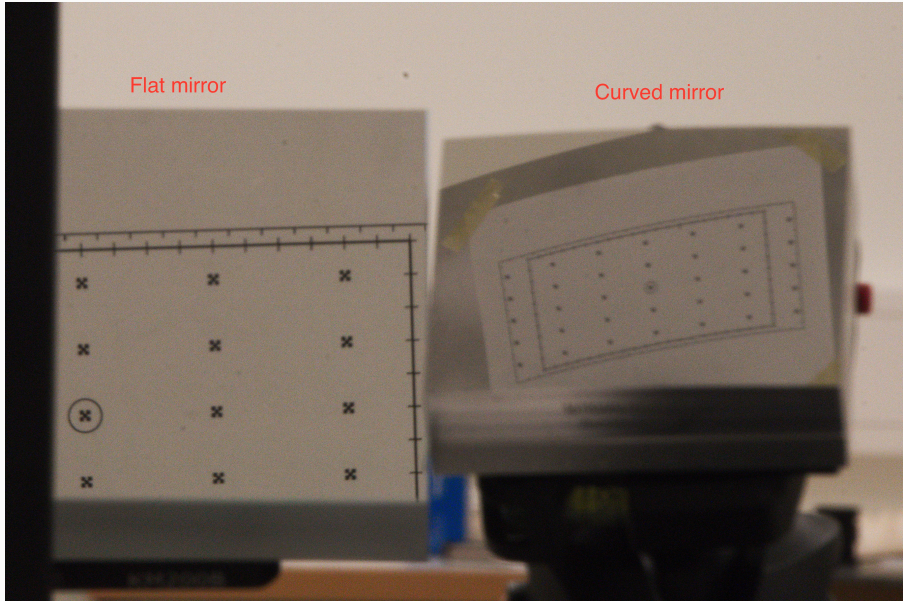


Light source

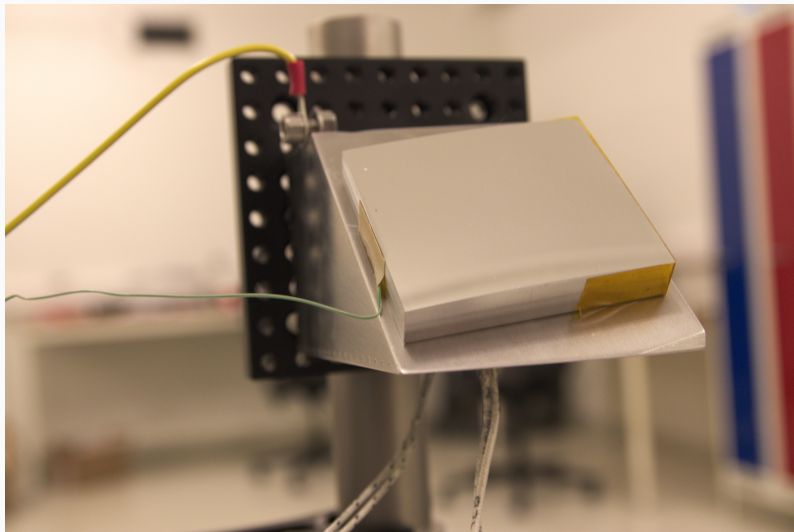


Optical system

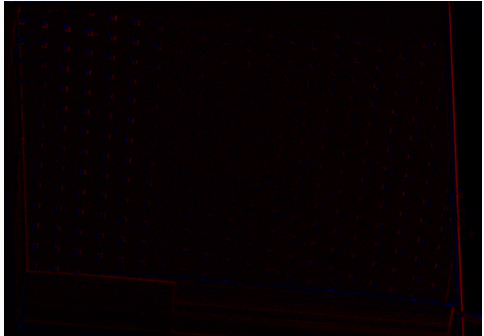




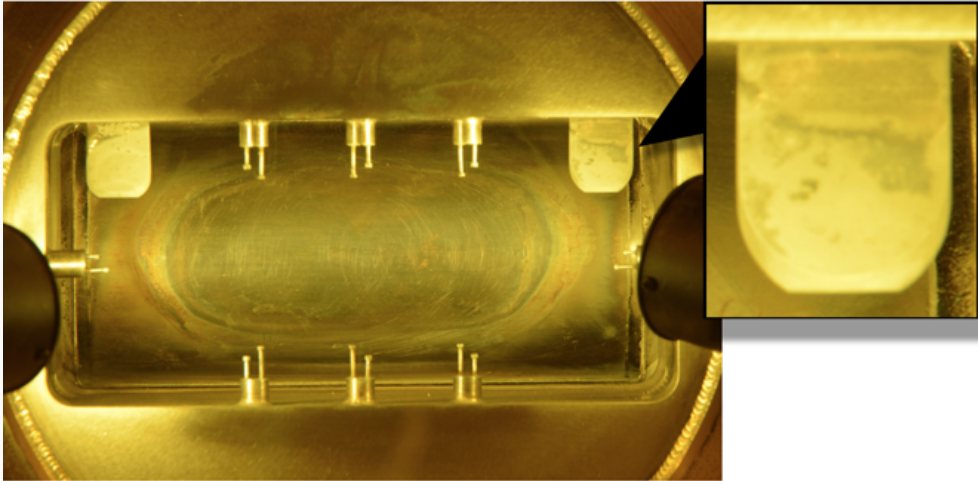
M1 mirror mount



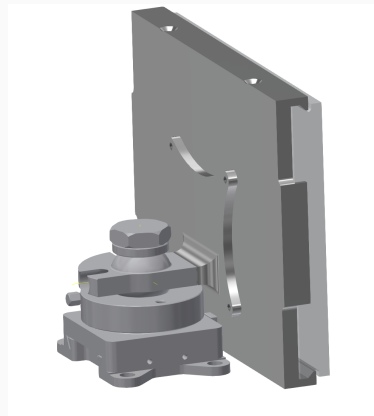
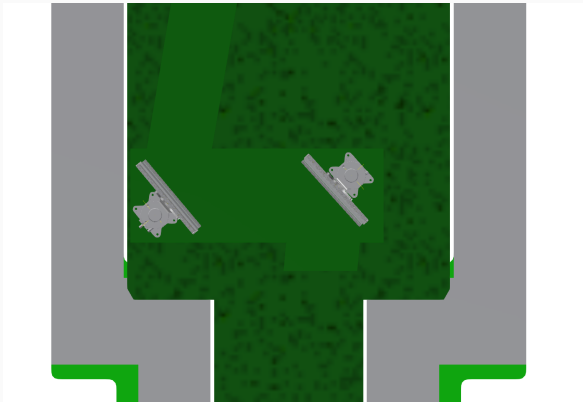
Deformation of M1



Anti corrosive coating of M1



Flat mirrors





- M1 has been ordered from Kugler GmbH, delivery Q1 2019
- Full set of flat mirrors will be in Oslo by end of year
- Mirrors with adapter plates will be delivered to ESS Q1 2019