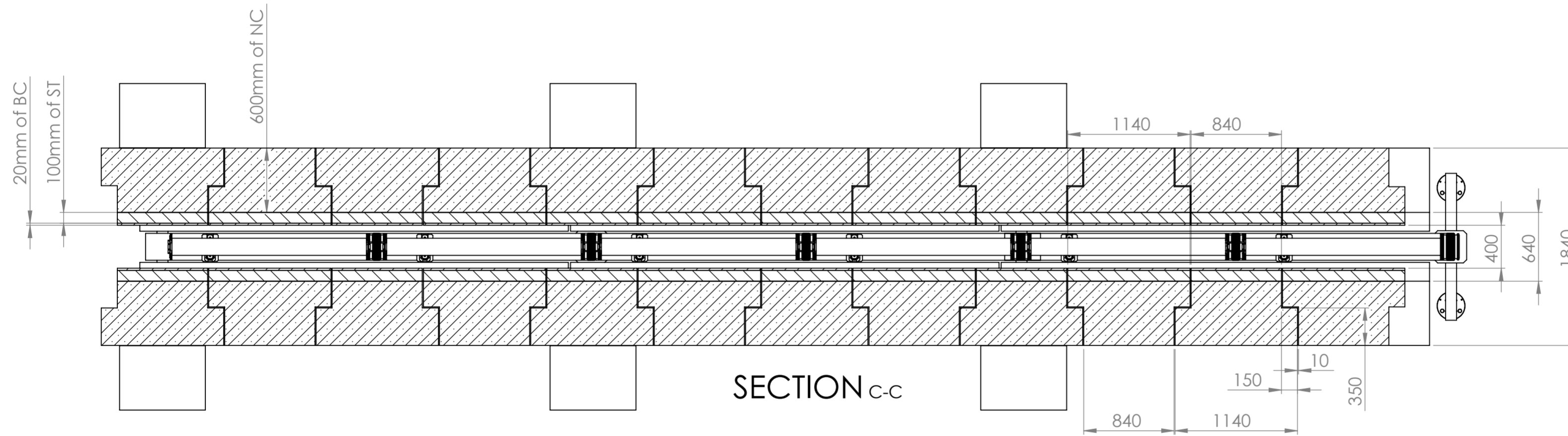
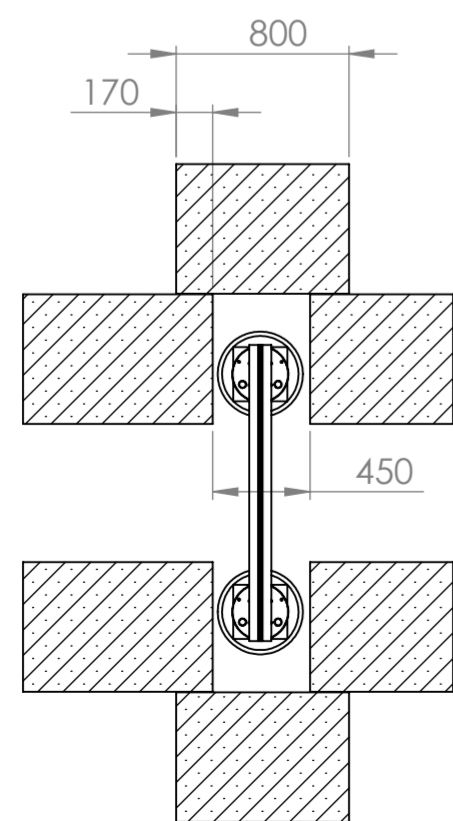


SECTION B-B



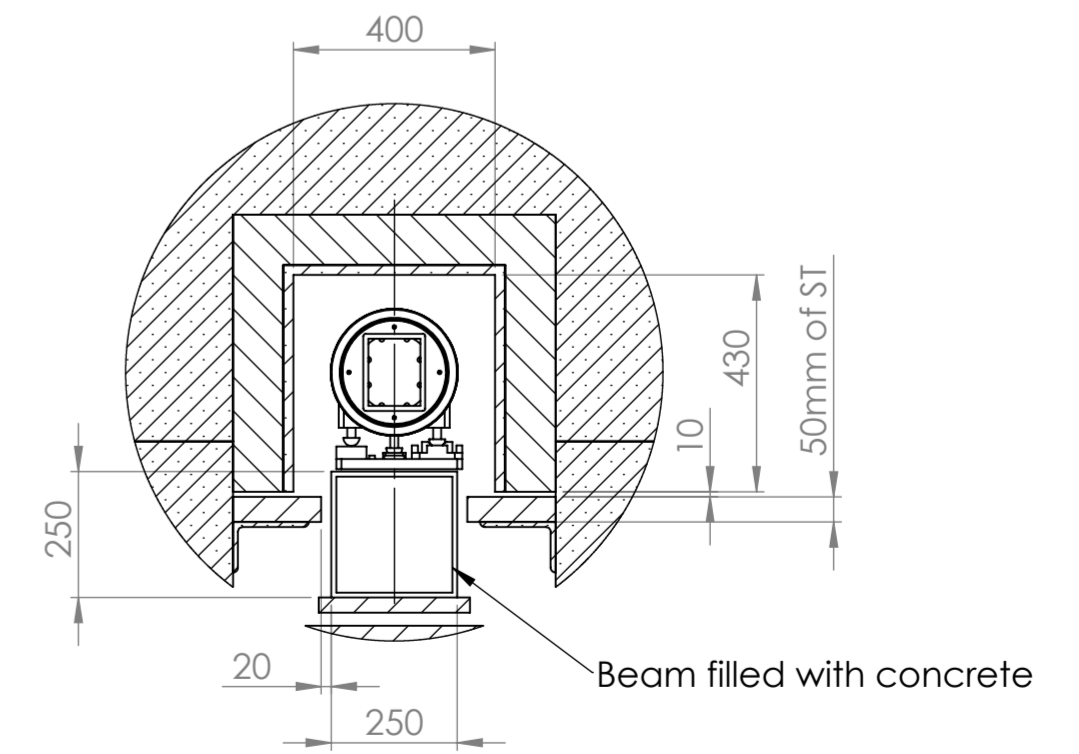
SECTION C-C



SECTION D-D

GUIDE SHIELDNIG E02

NC - Normal Concrete
 BC - Borated Concrete
 ST- Steel



DETAIL E
 SCALE 1 : 15