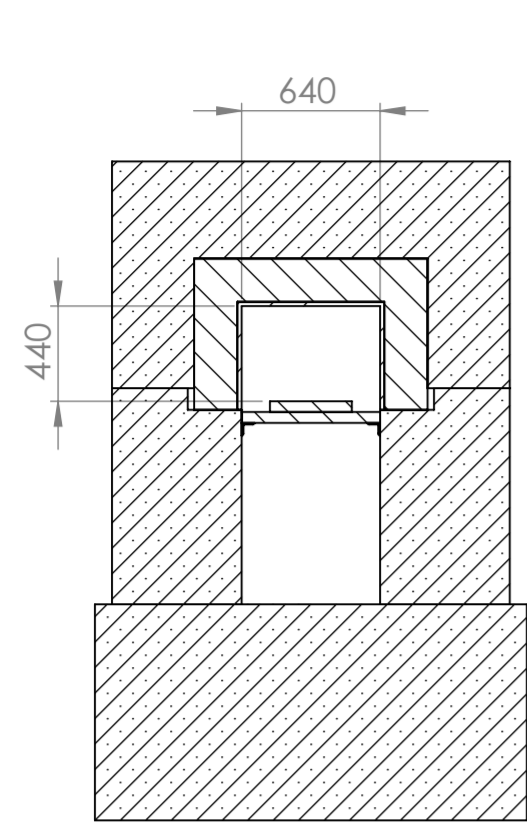
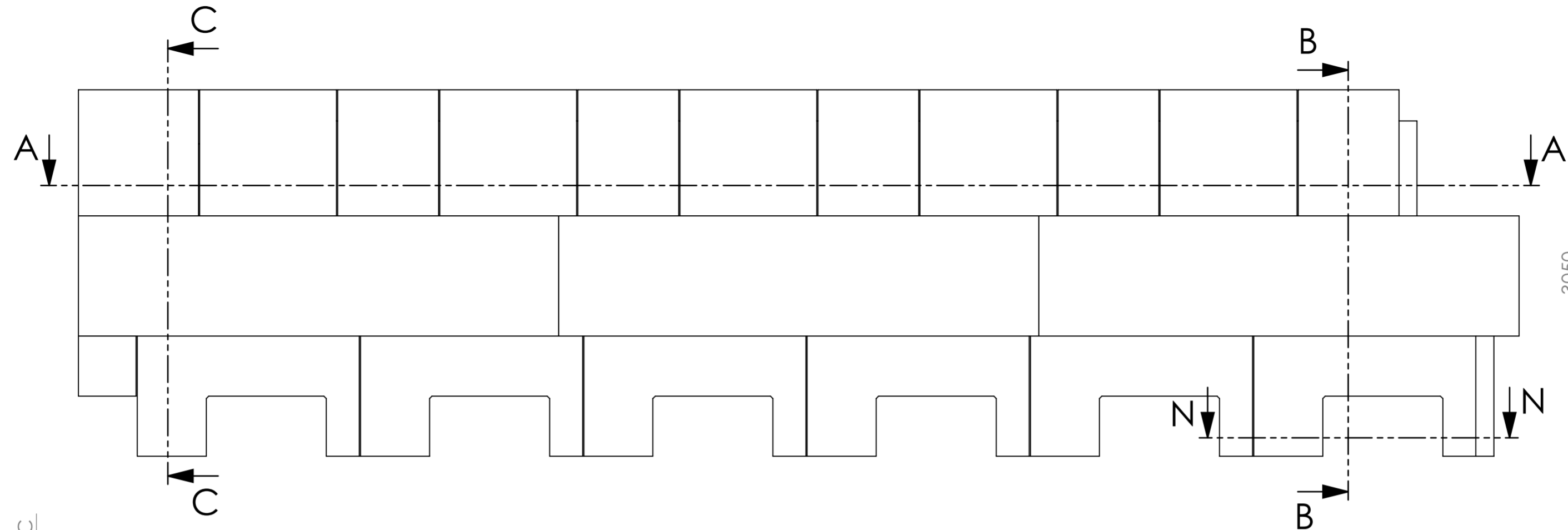


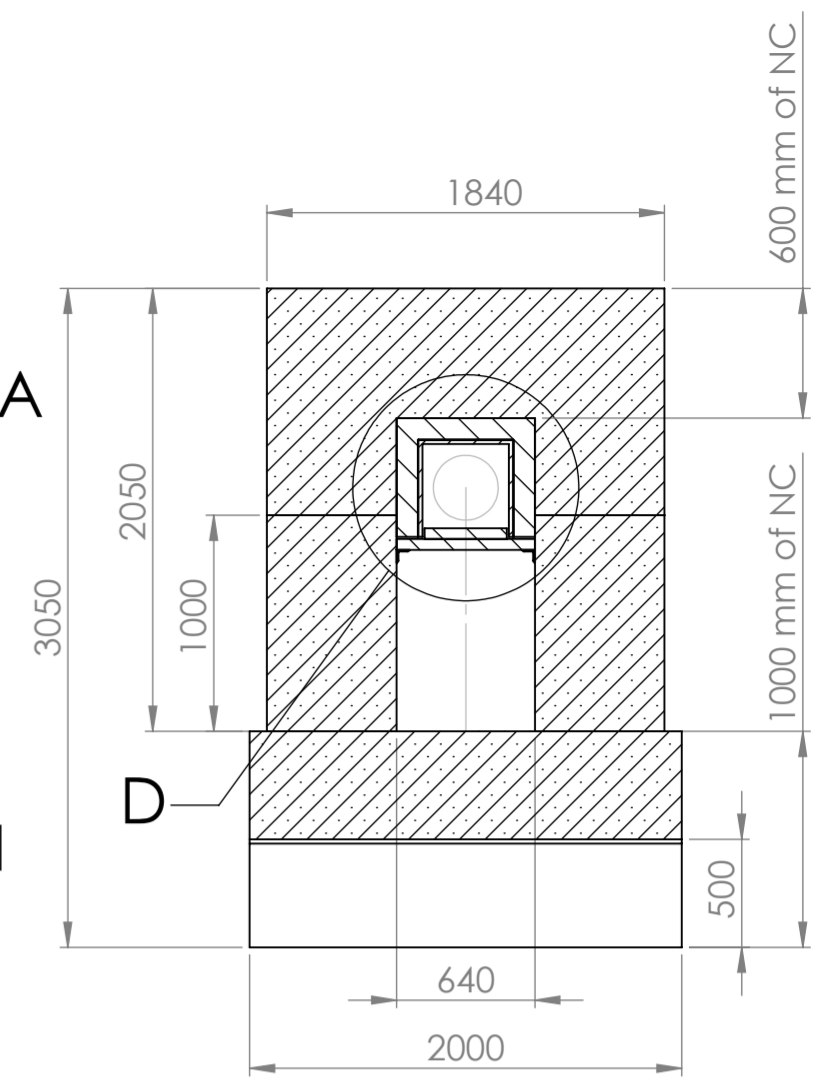
GUIDE SHIELDING D01/D03



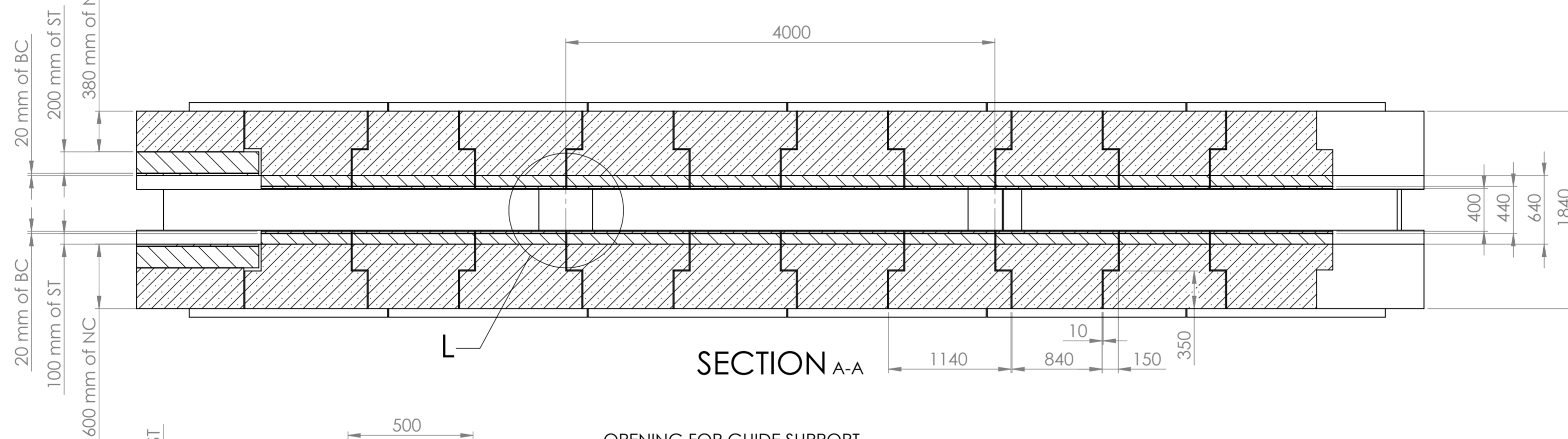
SECTION c-c



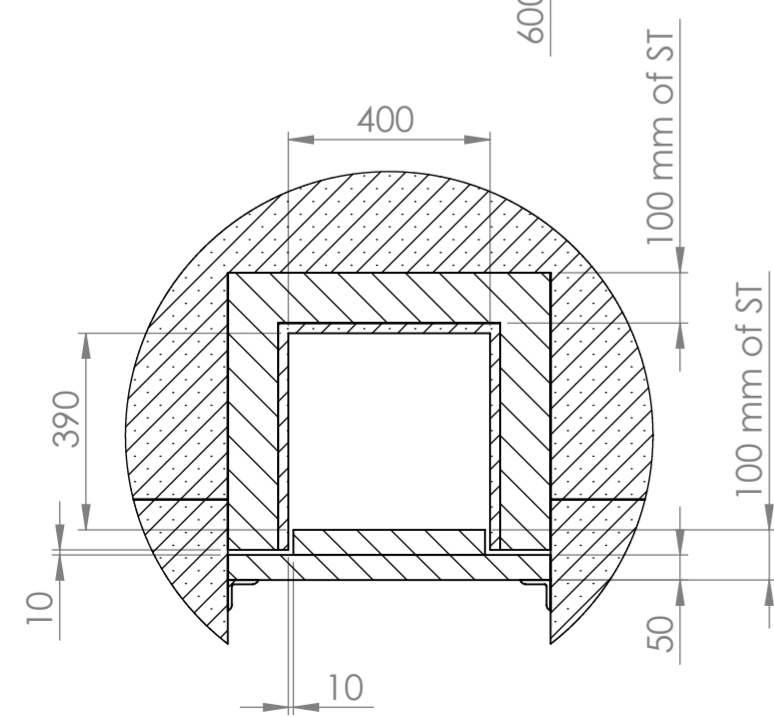
SECTION A-A



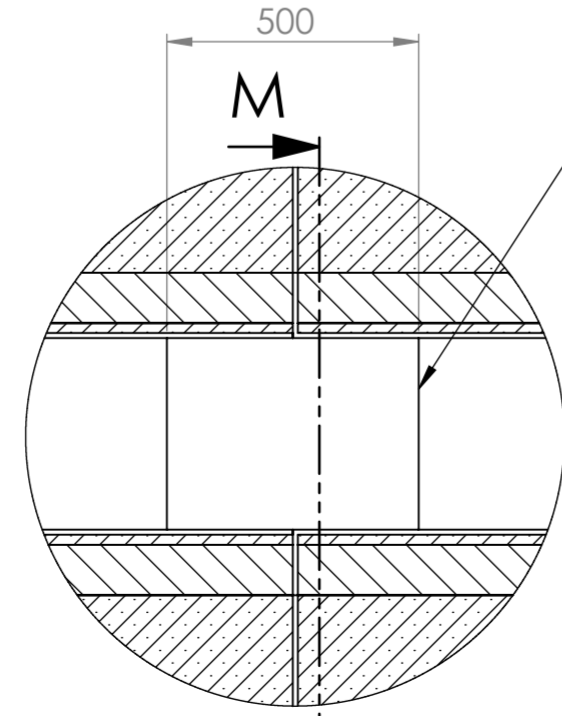
SECTION B-B



SECTION L-L

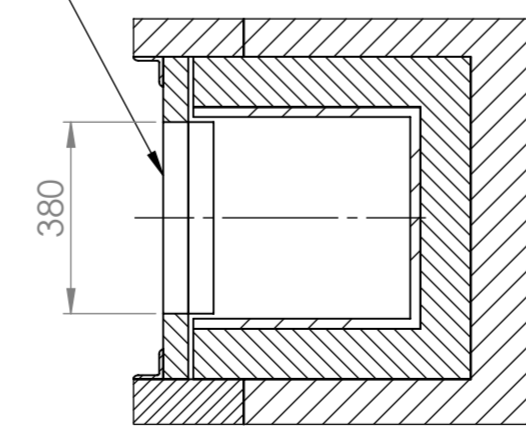


DETAIL D
SCALE 1 : 15

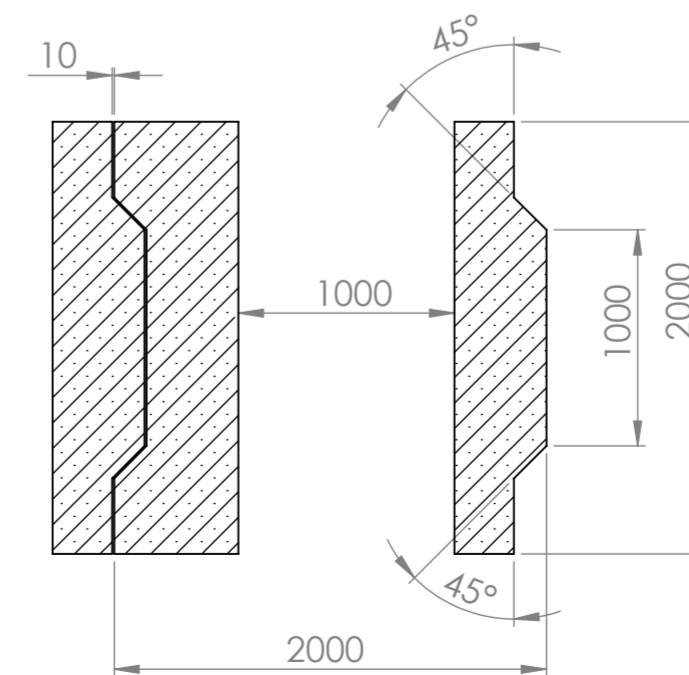


DETAIL L
SCALE 1 : 15

OPENING FOR GUIDE SUPPORT



SECTION M-M
SCALE 1 : 15



SECTION N-N

NC - Normal Concrete
BC - Borated Concrete
ST- Steel