



Loki Update

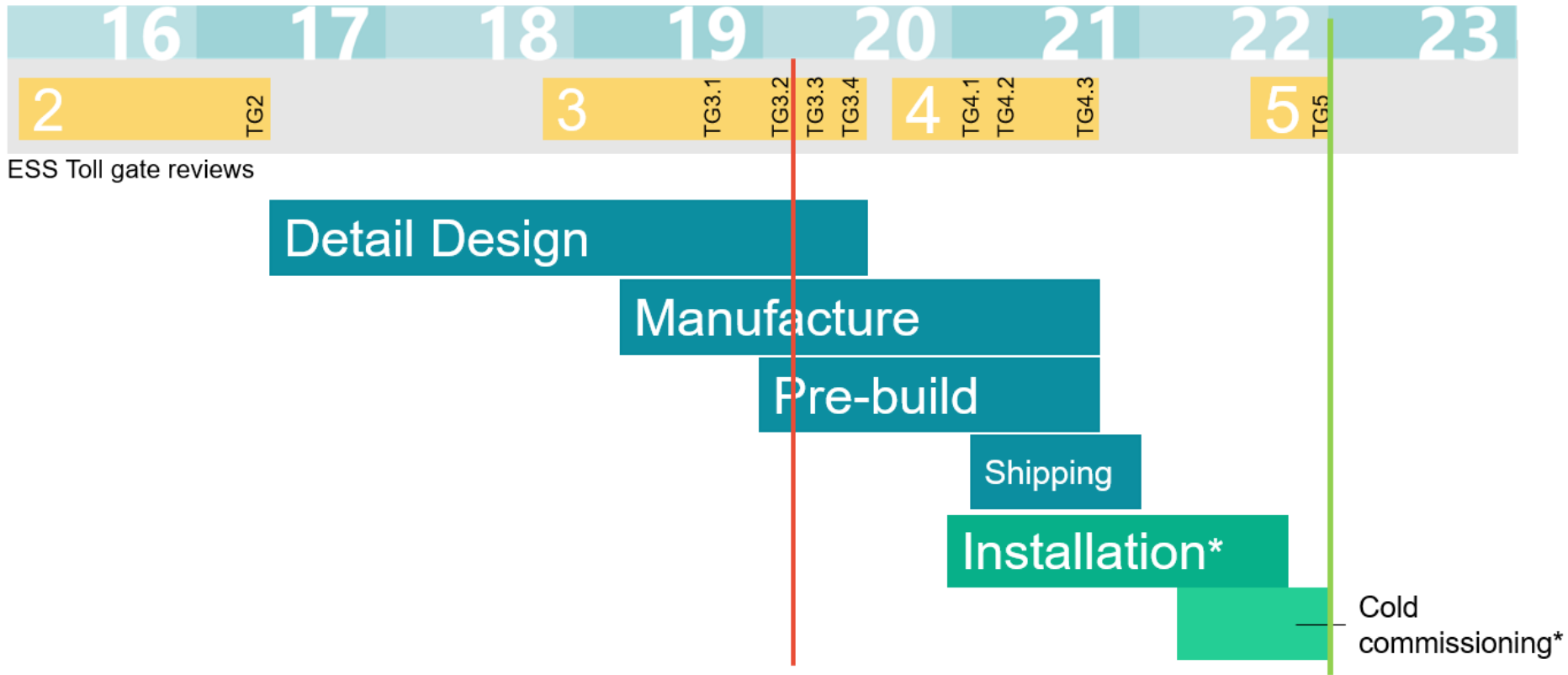
ESS

Agenda

- Schedule
- Update on progress
- Highlight 3 current challenges
 - Hazard Analysis
 - Motion Safety
 - TG3 schedule



Schedule



ESS Toll gate reviews

Project completion: 23/12/2022

* Carried out by ESS with advice from ISIS



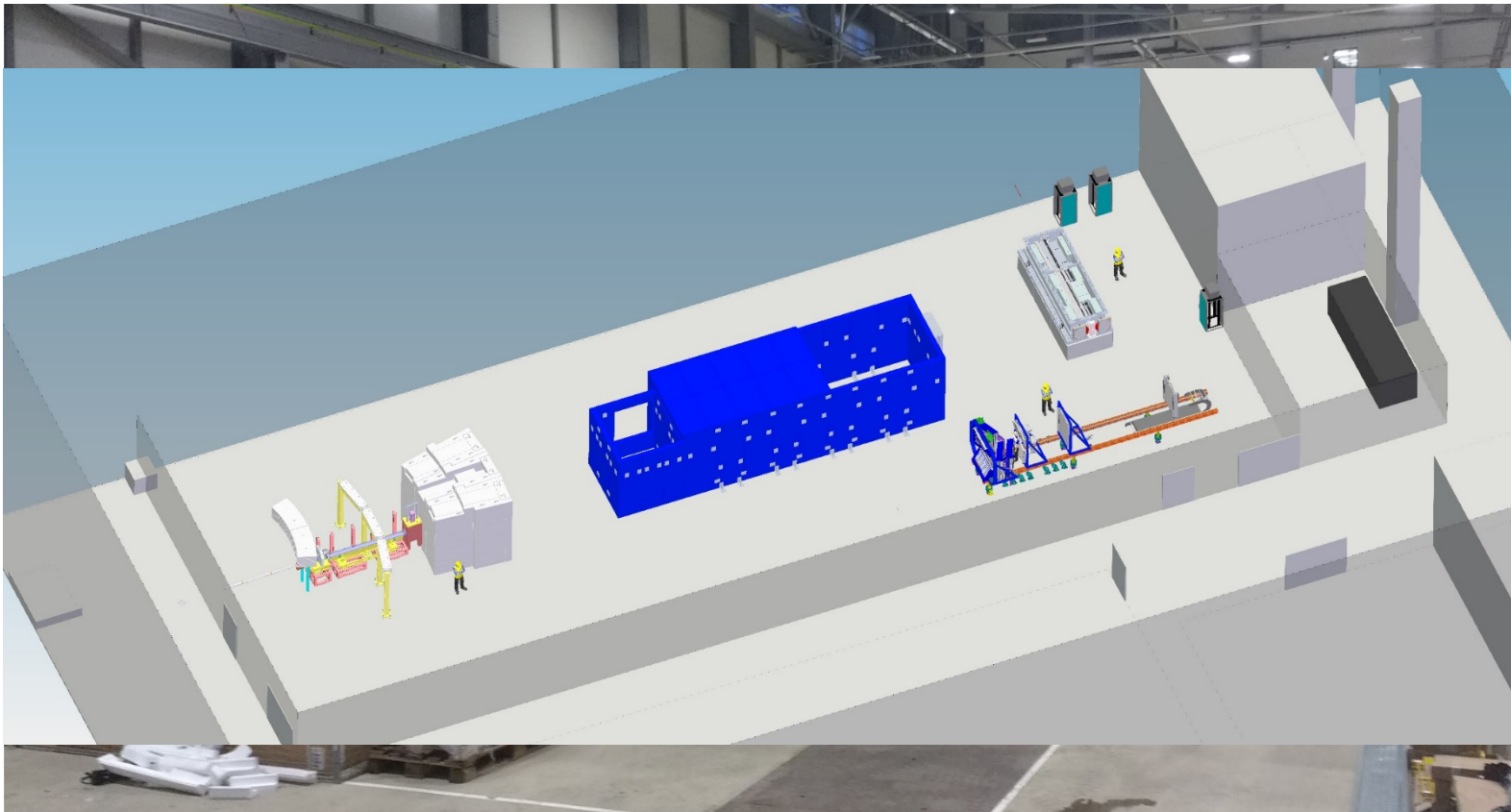
Pre-Build at ISIS

- 90% of Loki will be built and tested at ISIS
- ESS installation technicians will be invited to ISIS to learn
- Loki will then be disassembled and shipped to ESS
- ESS technicians will then re-build Loki at ESS



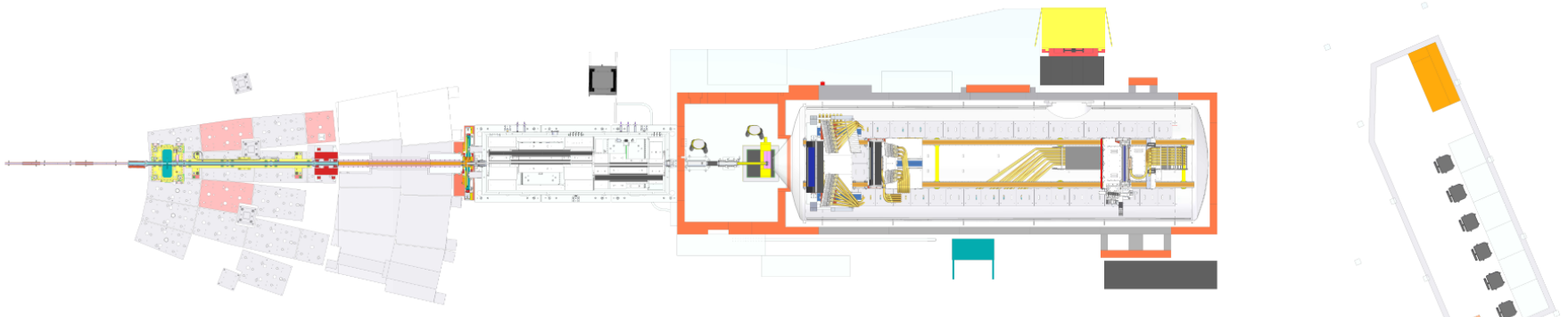
Pre-Build at ISIS

- 90% of Loki will be built and tested at ISIS
- ESS installation technicians will be invited to ISIS to learn
- Loki will then be disassembled and shipped to ESS
- ESS technicians will then re-build Loki at ESS



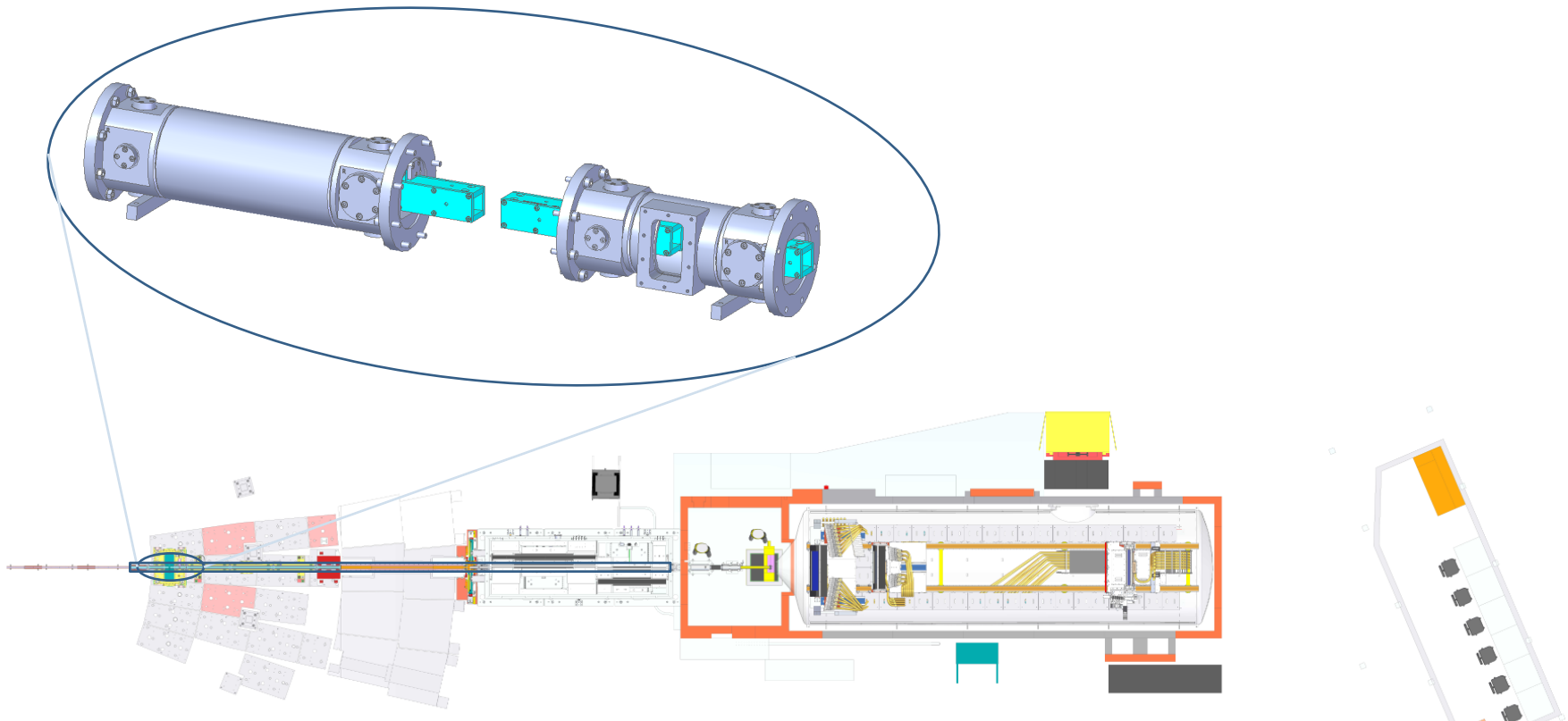
Status Update

- Component by component



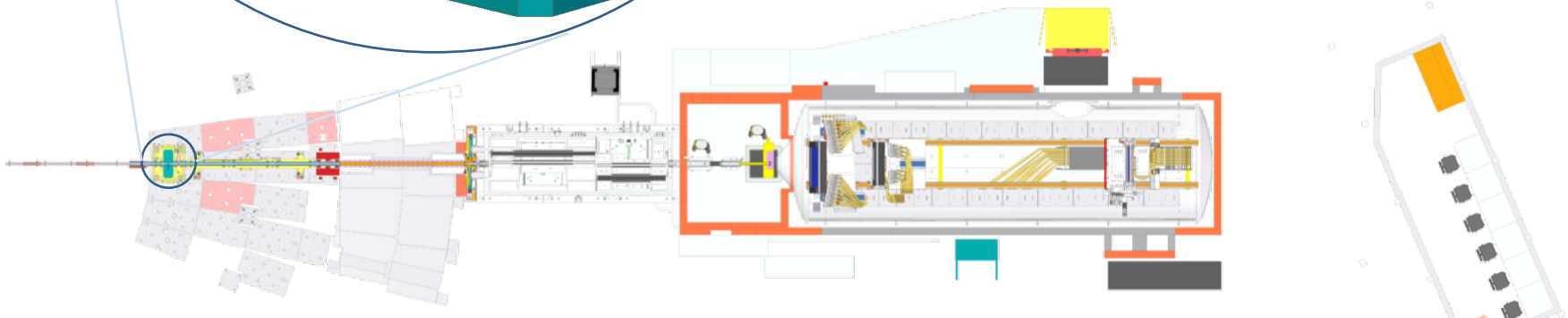
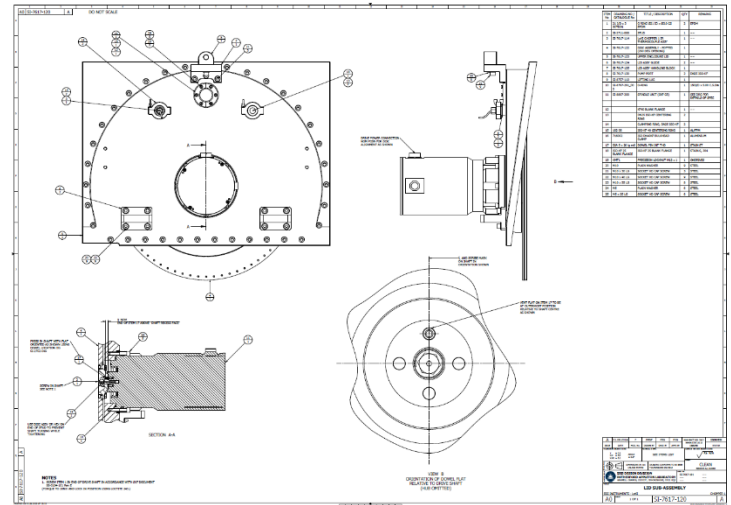
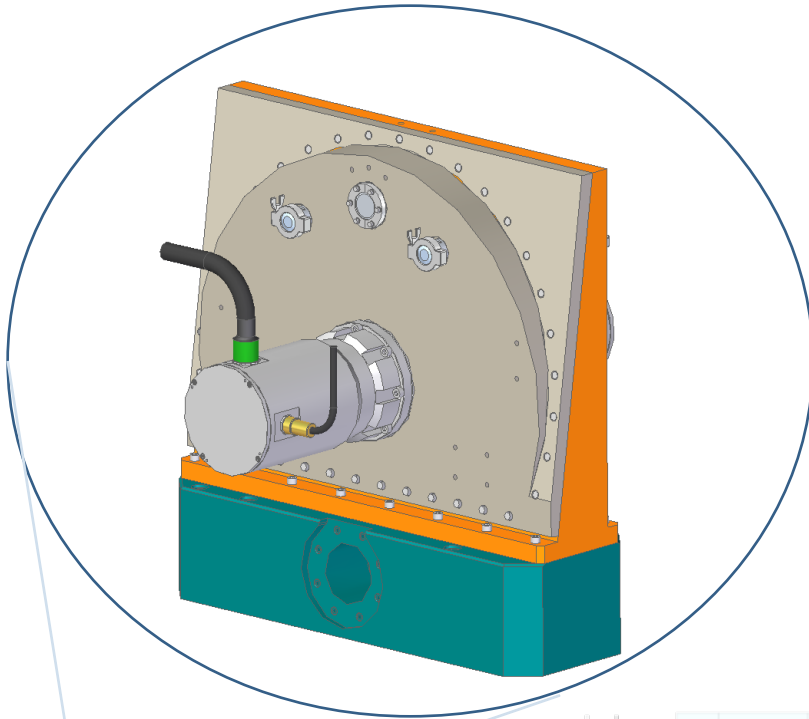
Guide and Vacuum Vessels

- Design & Manufacture outsourced to Swiss Neutronics
- Design underway



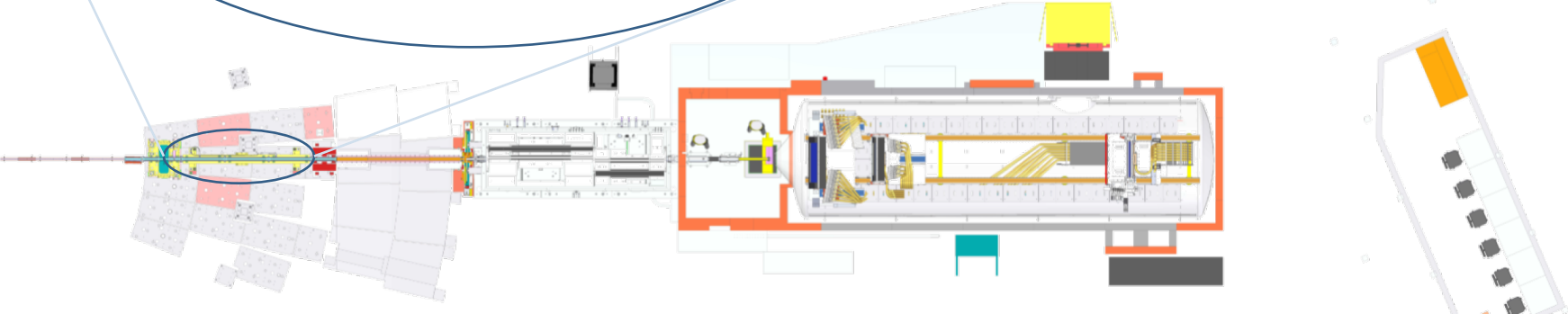
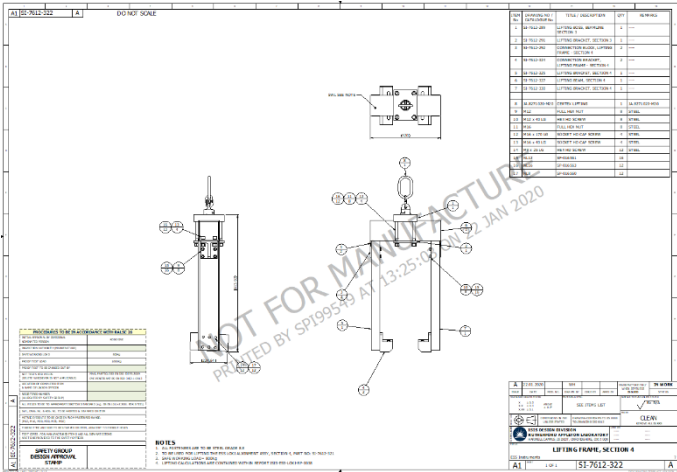
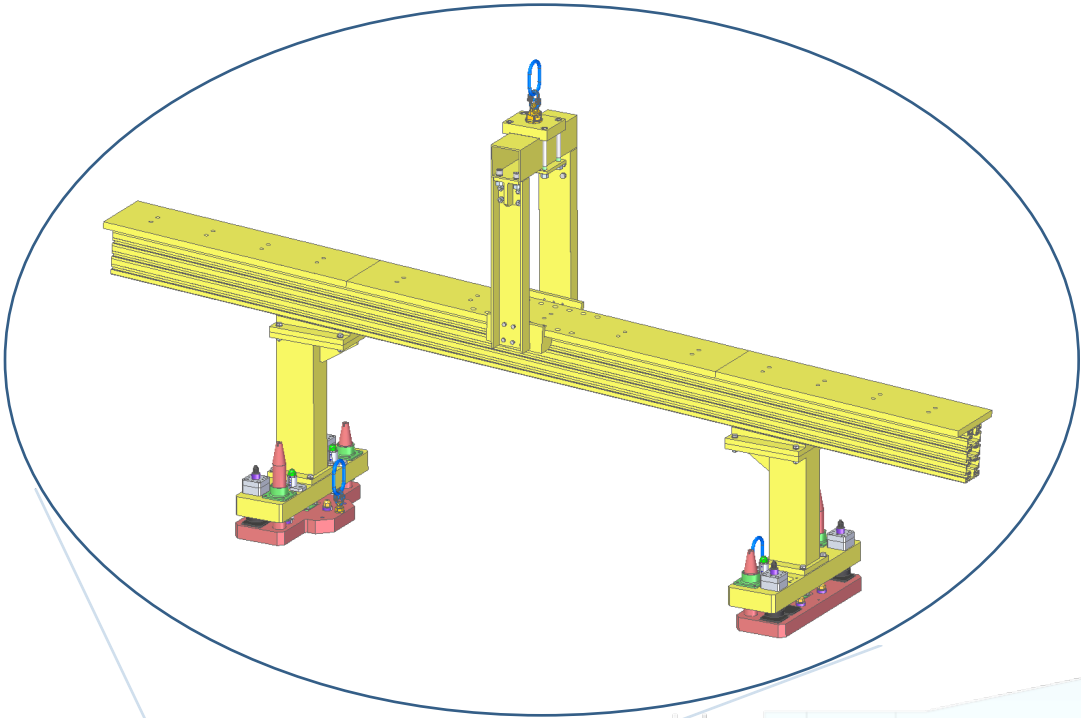
Chopper 1

- Design Completed (ISIS Design)
- Manufacture underway



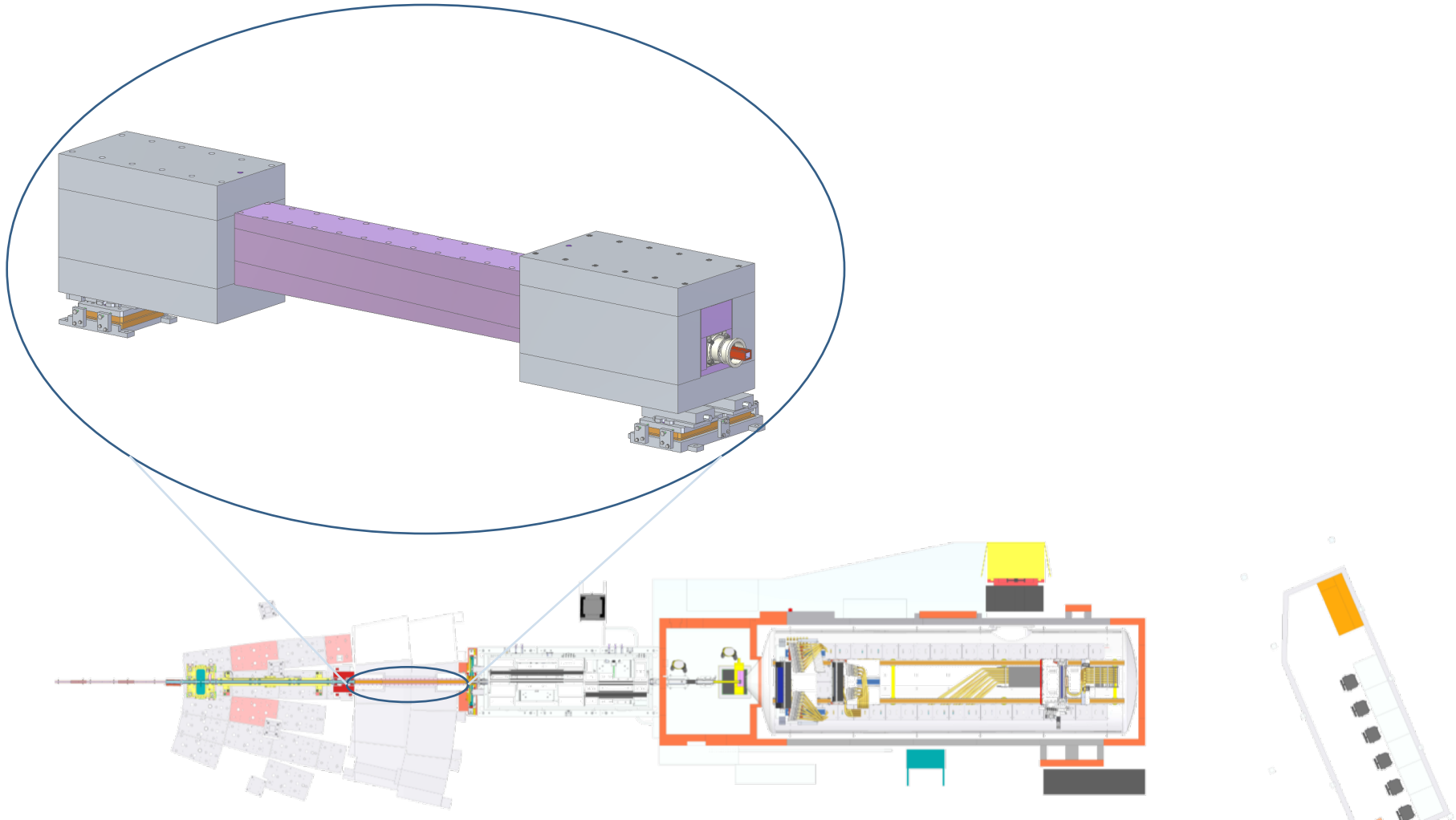
In-Bunker RH Structures

- Design Completed (ISIS Design)
- Manufacture out for quotation



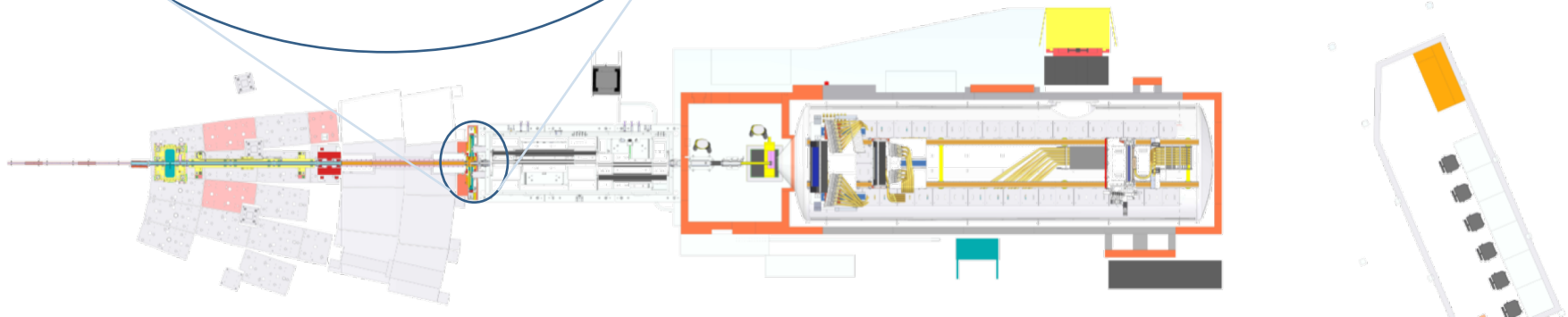
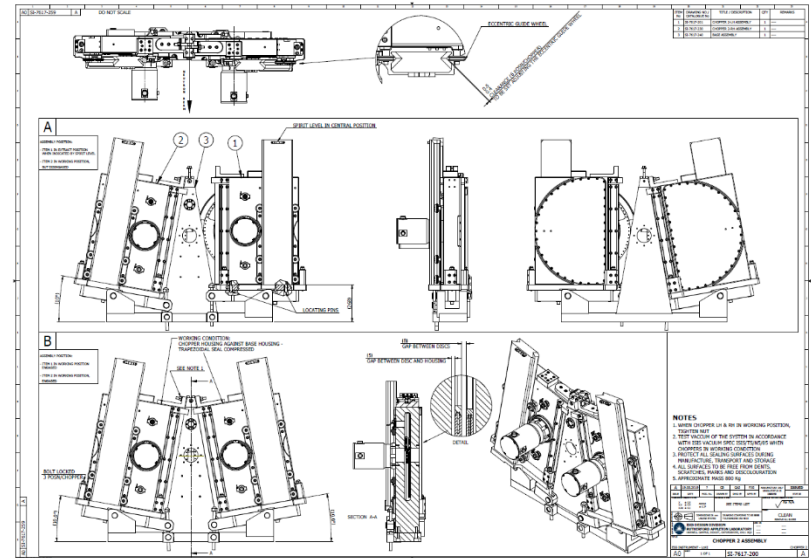
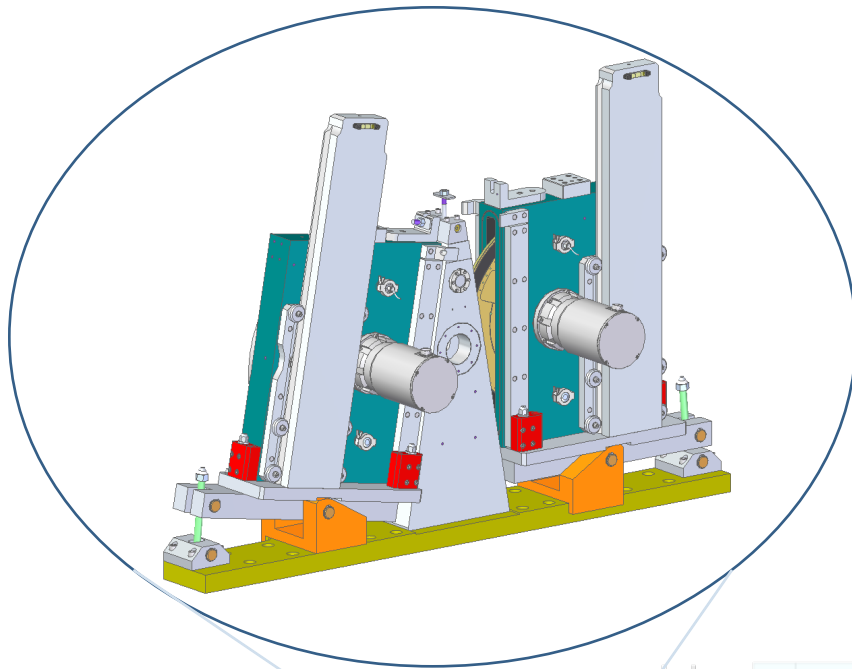
Bunker Wall Feedthrough

- Requirements defined
- Design Underway (ISIS/SNAG Design Collaboration)



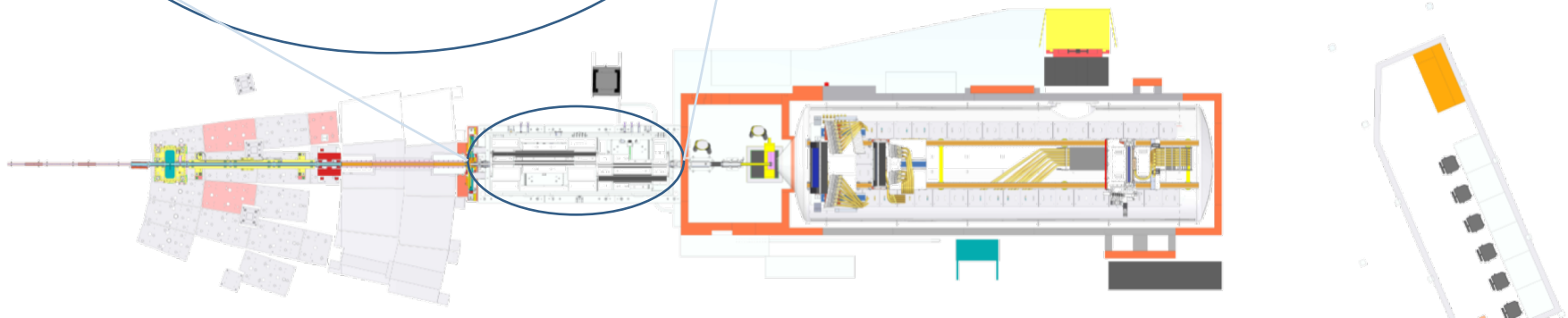
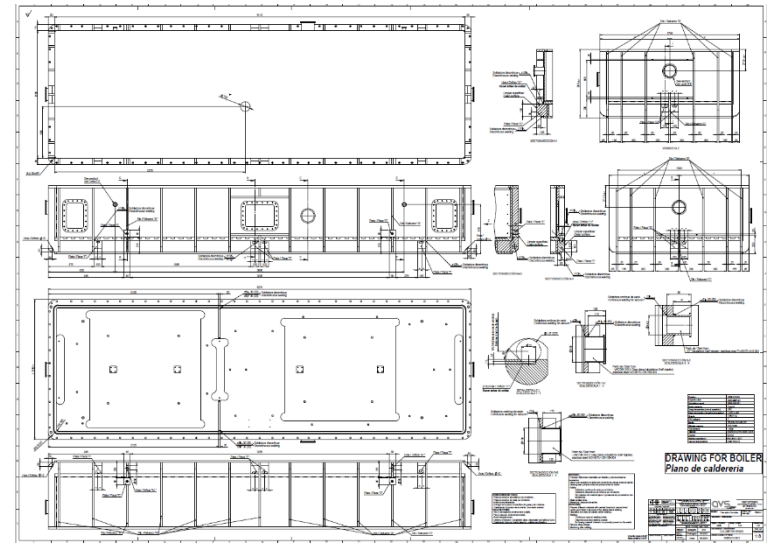
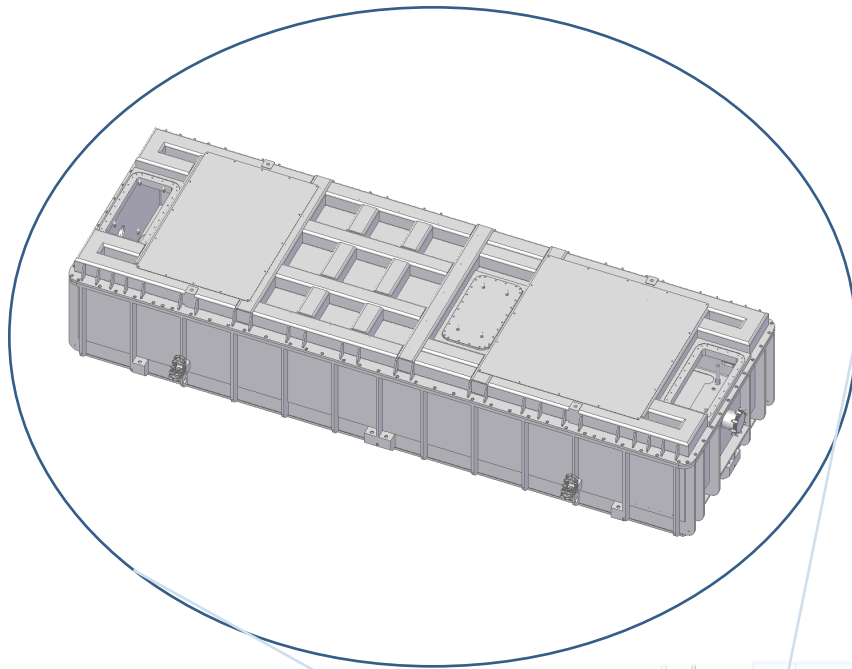
Chopper 2

- Design Completed (ISIS Design)
- Manufacture Underway



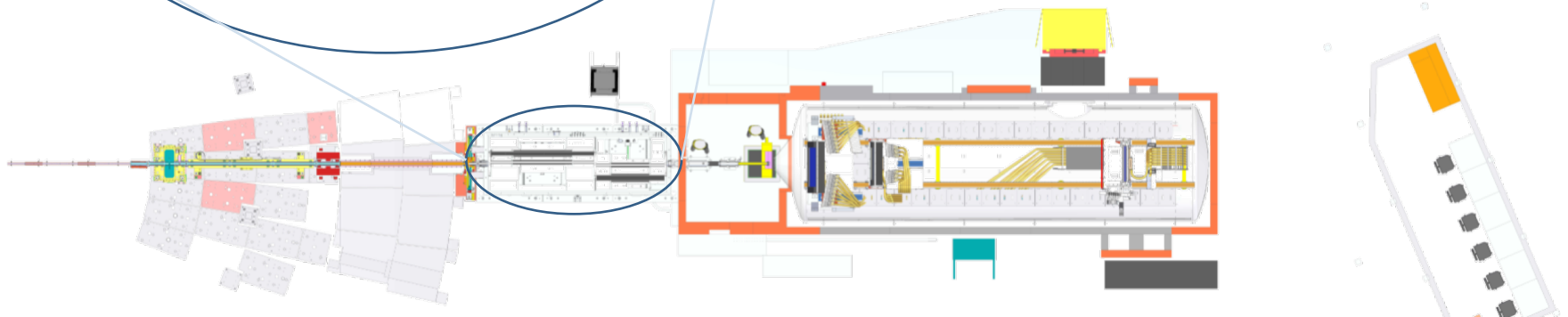
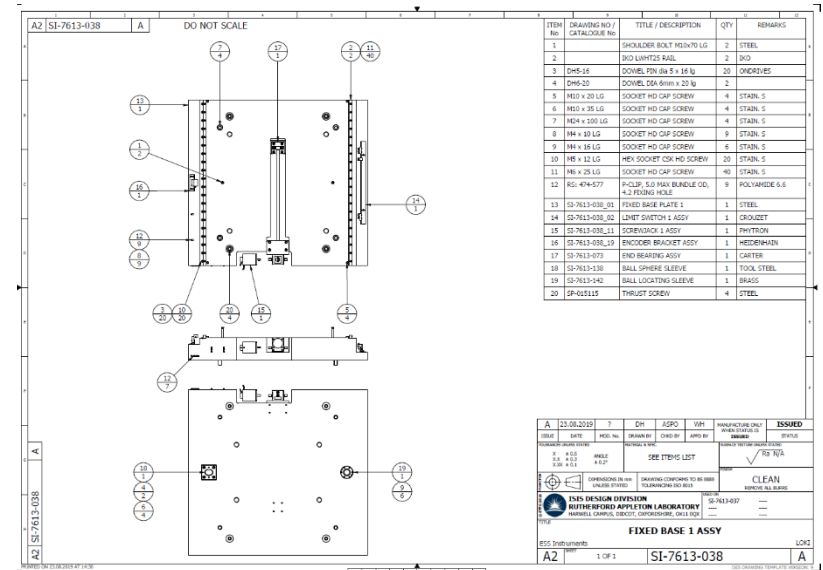
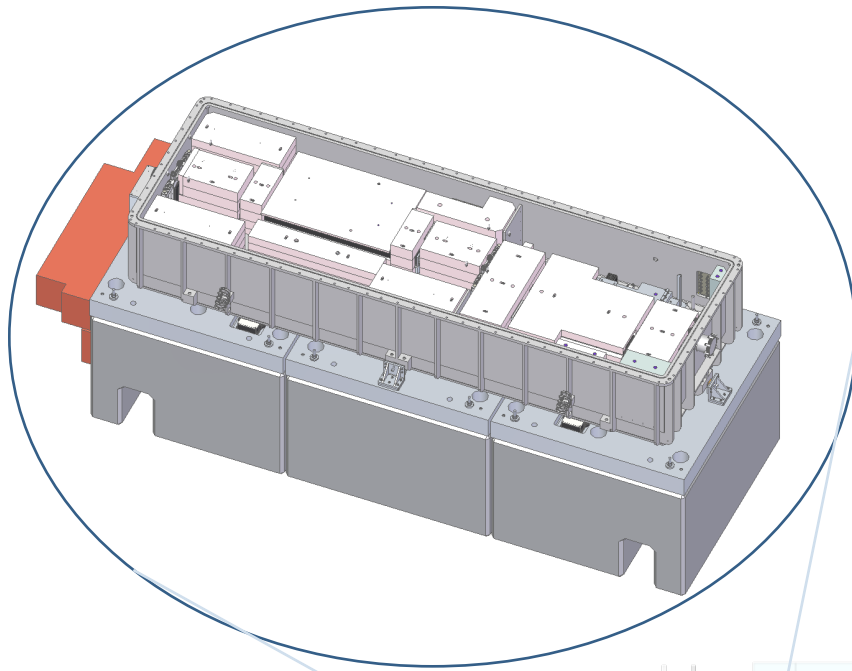
Collimation Selector Vessel

- Design Completed (AVS Design)
- Manufacture commencing ~now



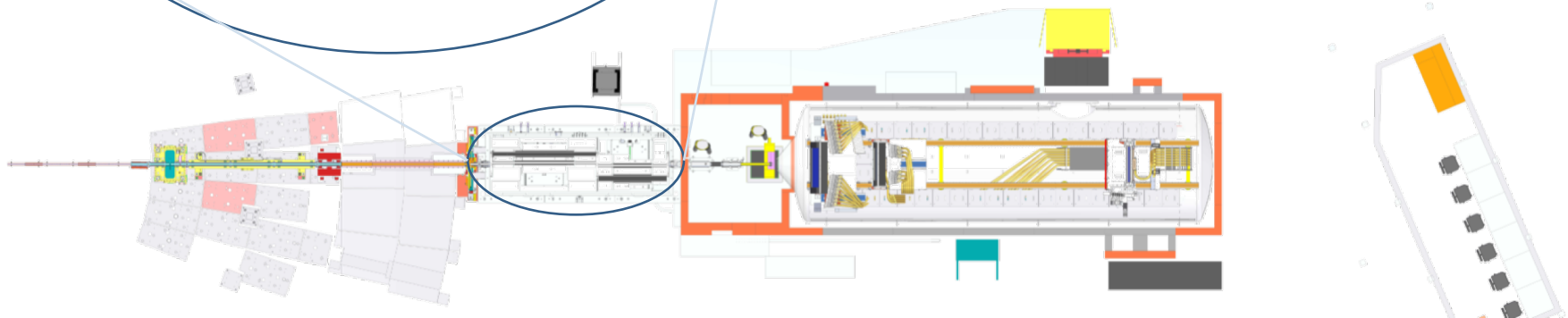
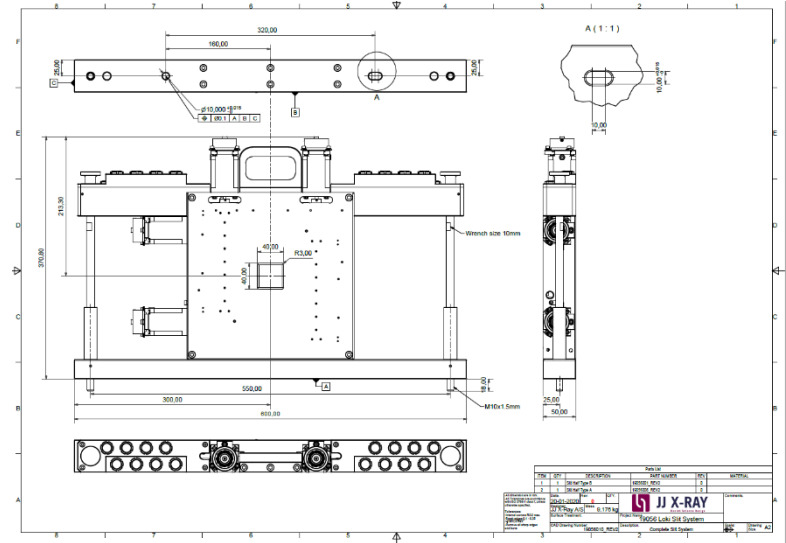
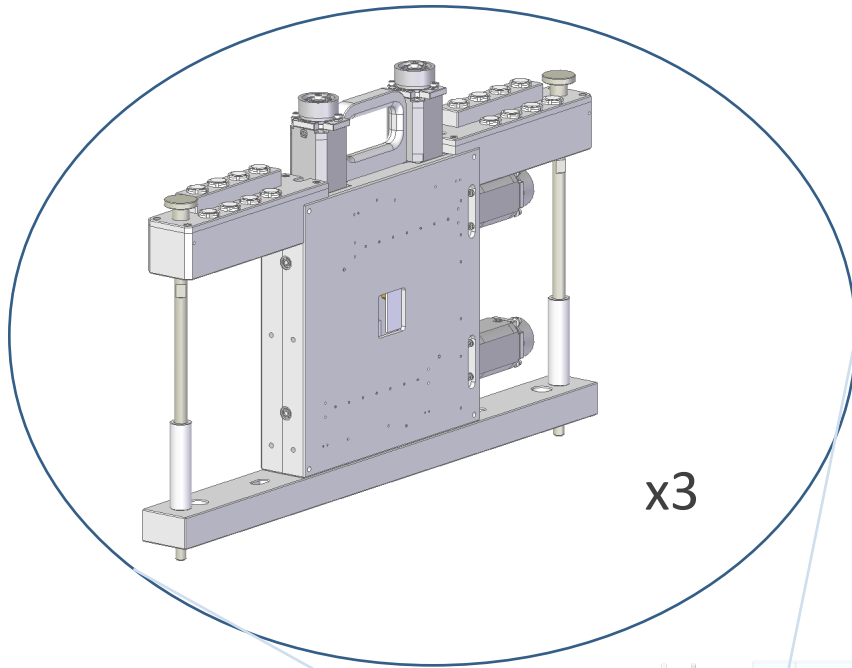
Collimation Selector

- Design Completed (ISIS Design)
- Manufacture out for quotation



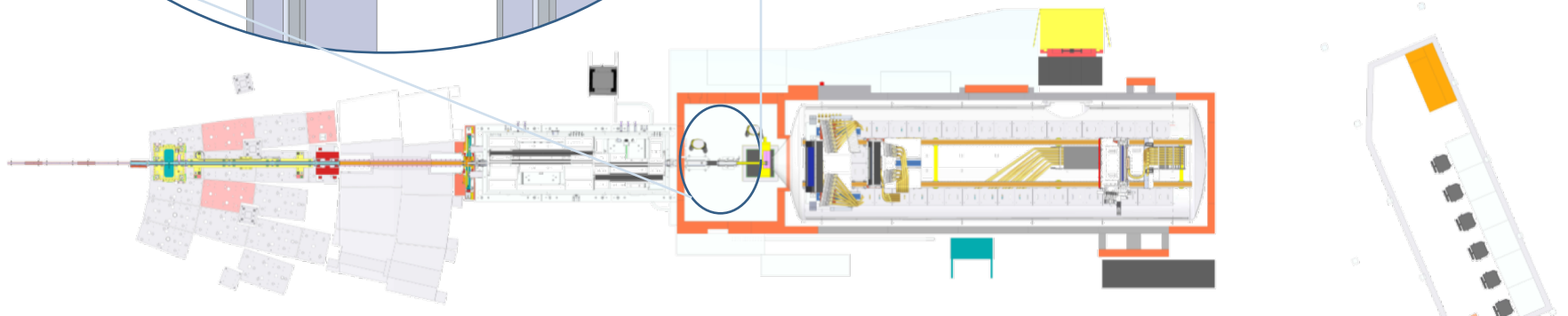
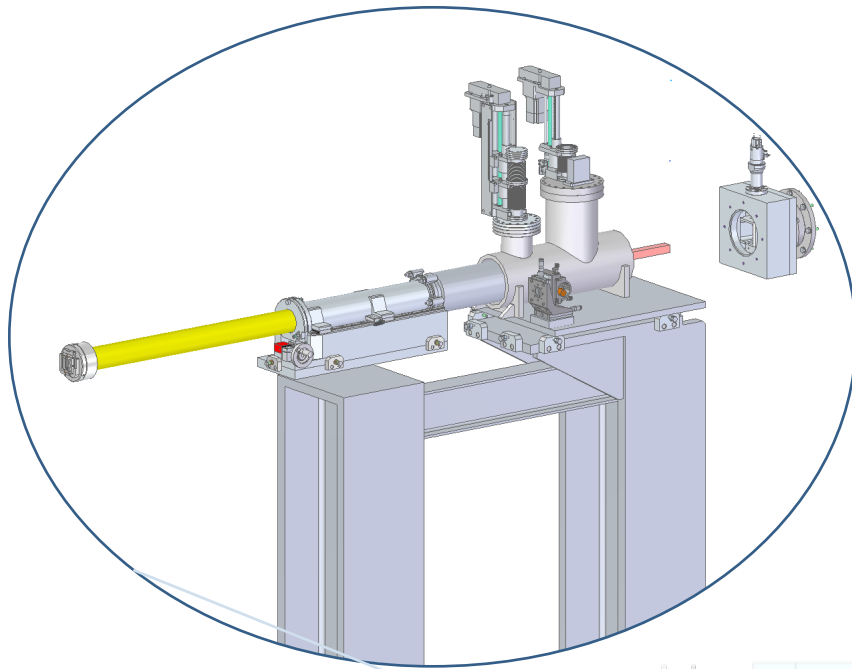
Jaw Sets

- Design Completed ~Now (Outsourced to JJ X-Ray)



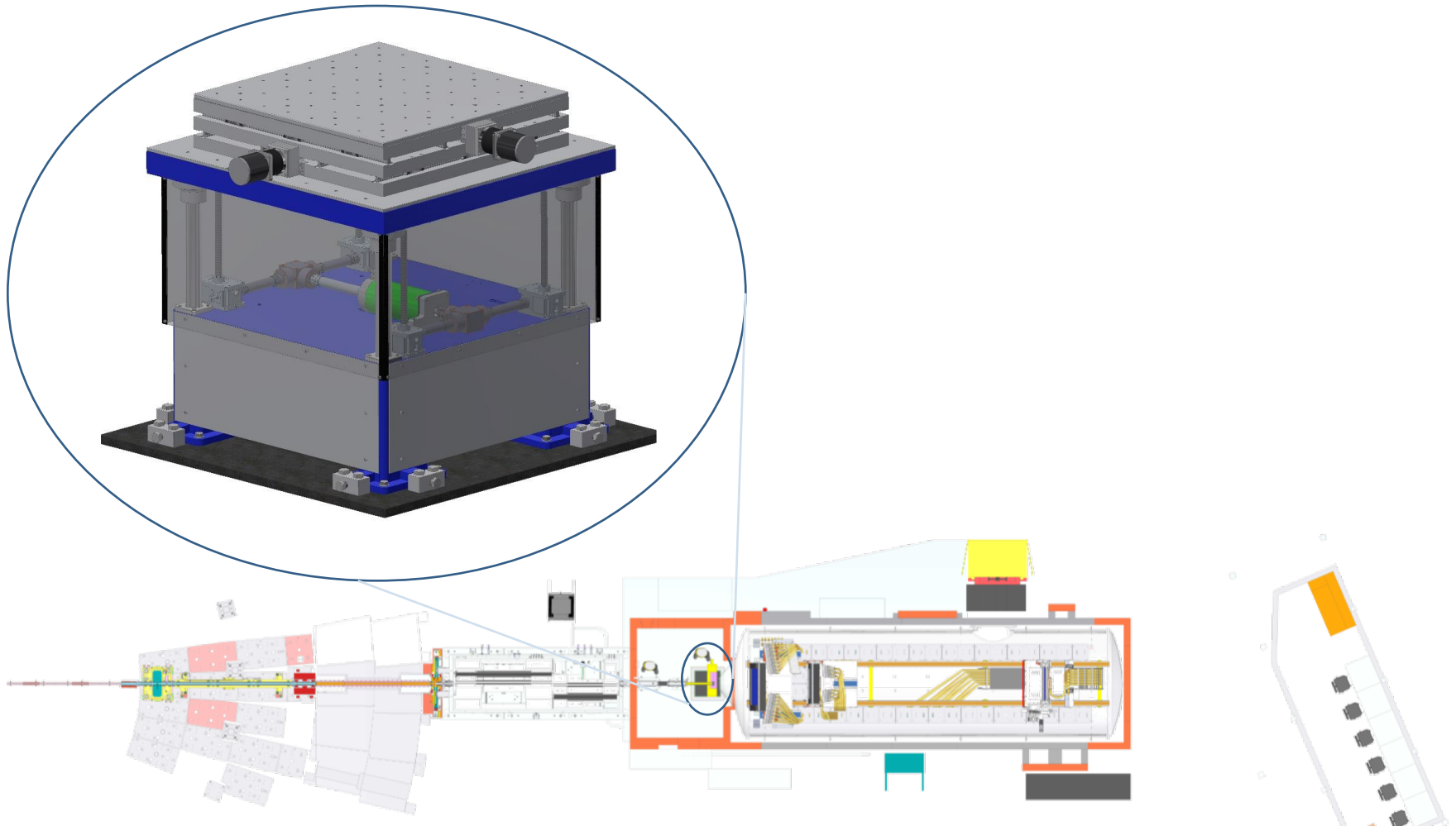
Sample Snout

- Requirements defined
- Design Underway



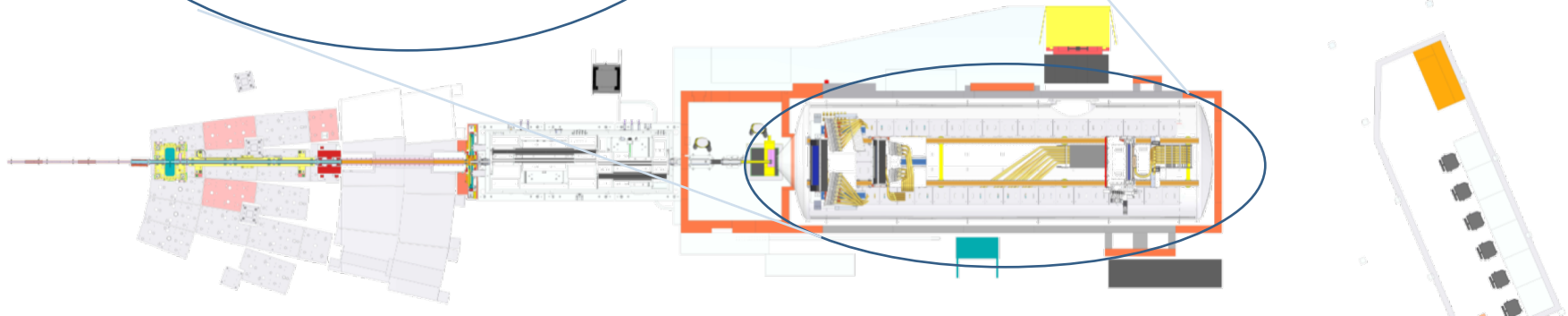
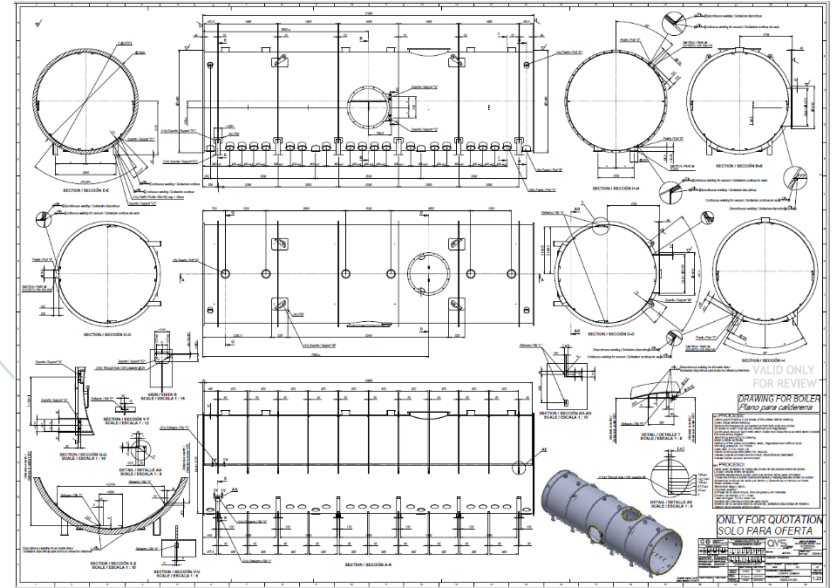
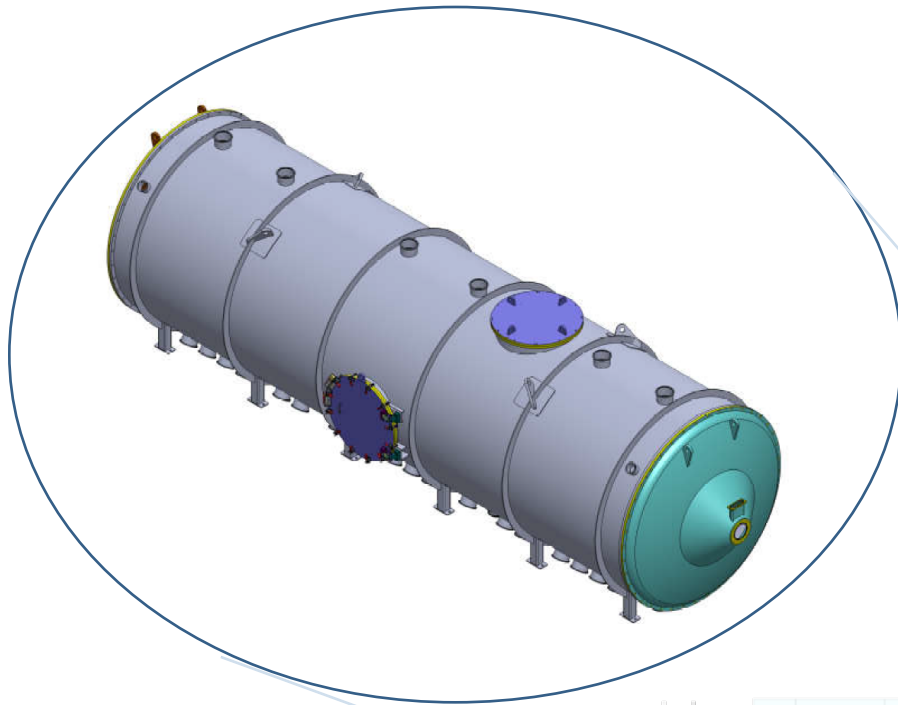
Sample Stack

- Design & manufacture outsourced to JJ X-Ray
- Order placed, detailed design not yet started



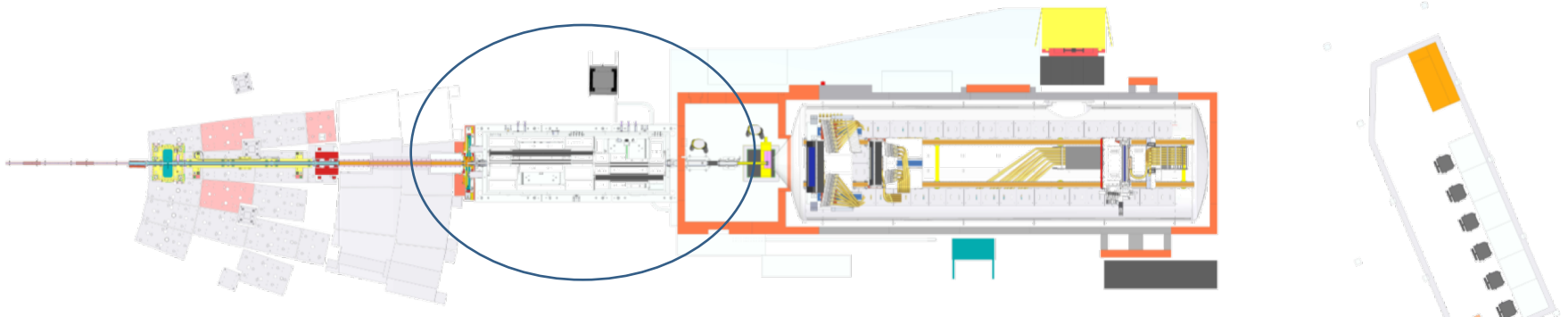
Detector Vessel

- Design complete (Outsourced to AVS)
- Manufacture commencing ~now



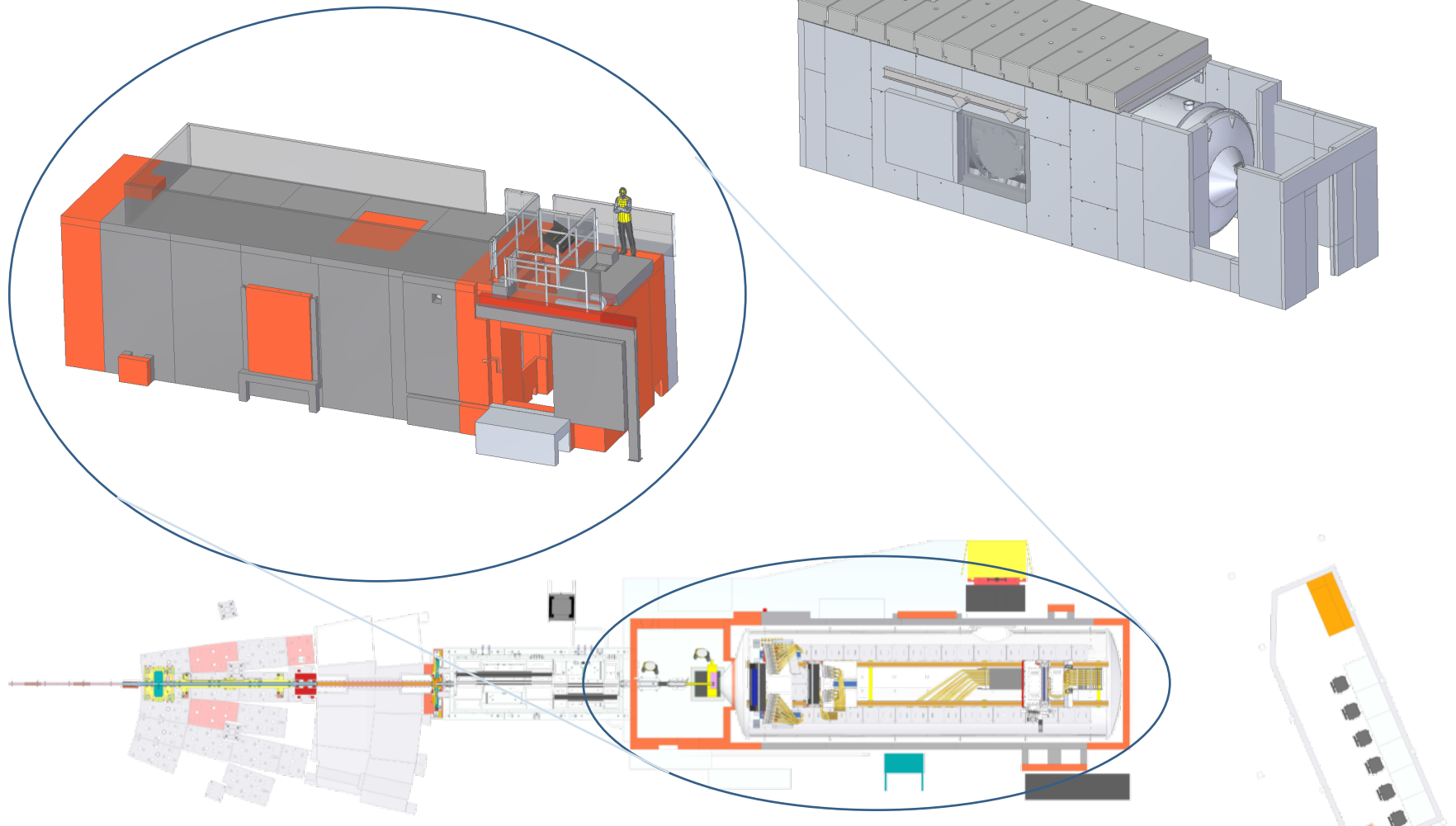
Bunker to Cave Shielding

- Neutronics 1st pass completed
- Design not yet started

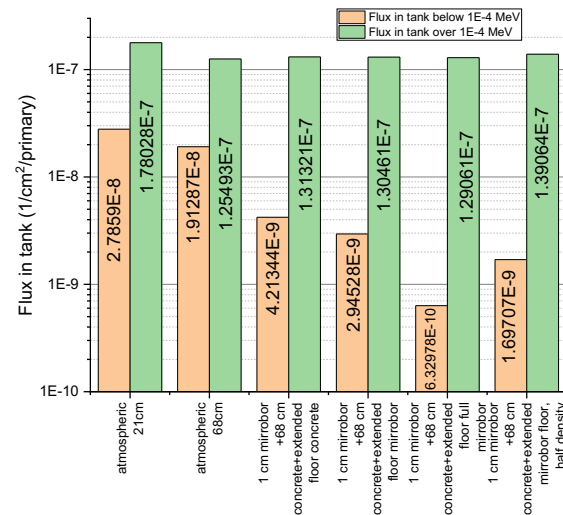
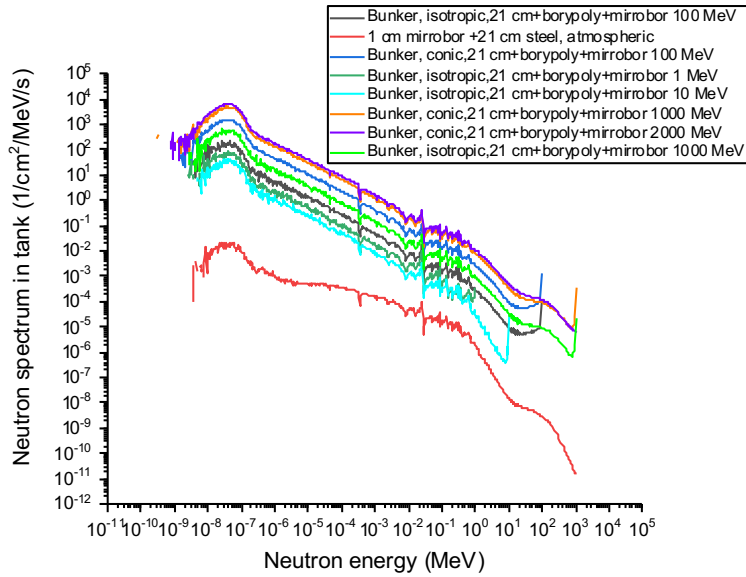
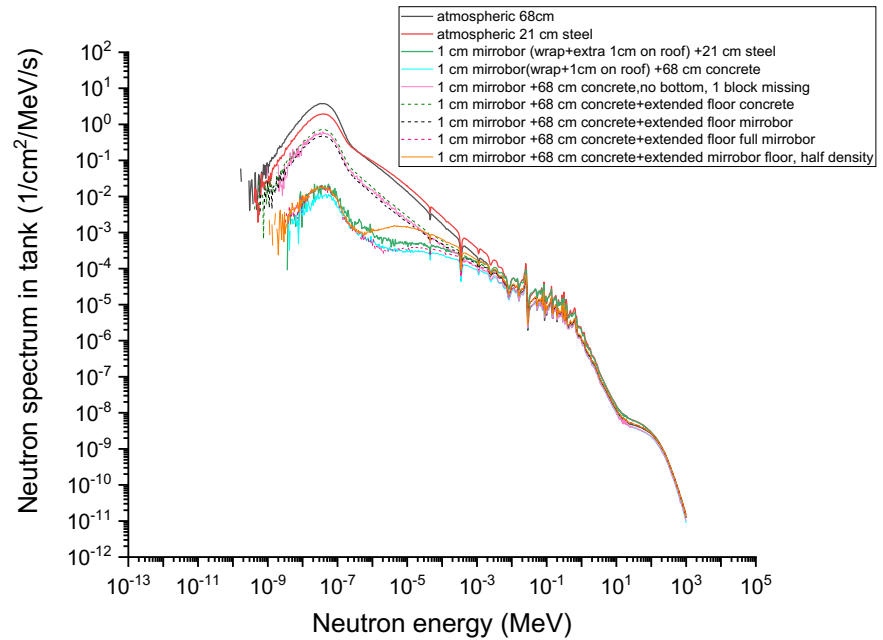
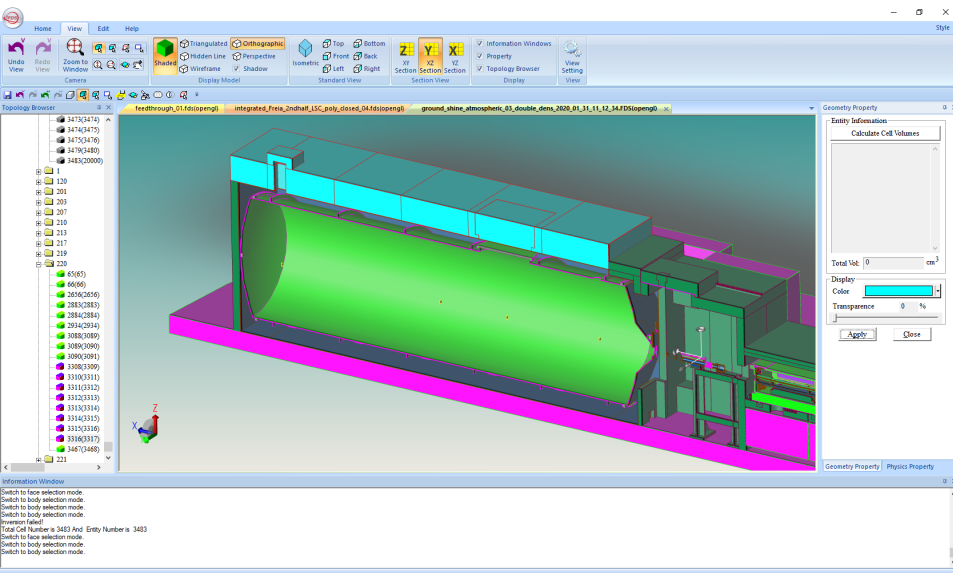


Cave Shielding

- Neutronics completed
- Design underway (ISIS Design)

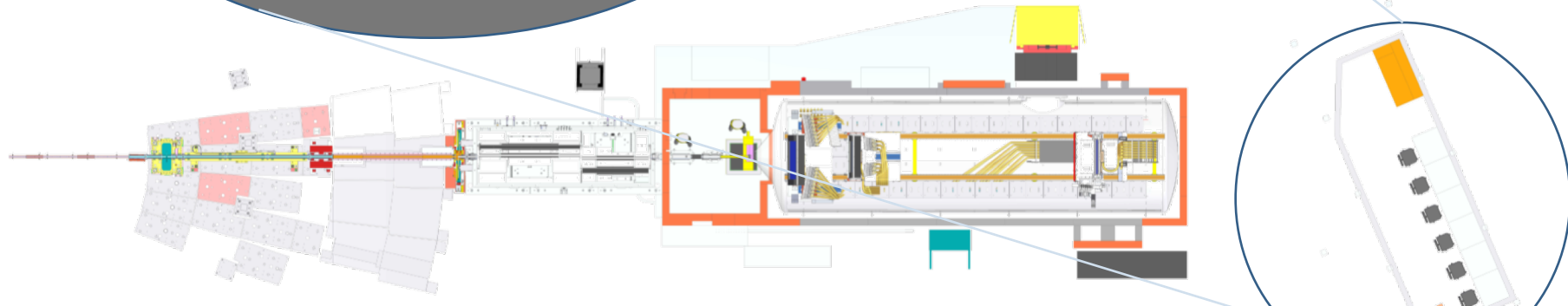
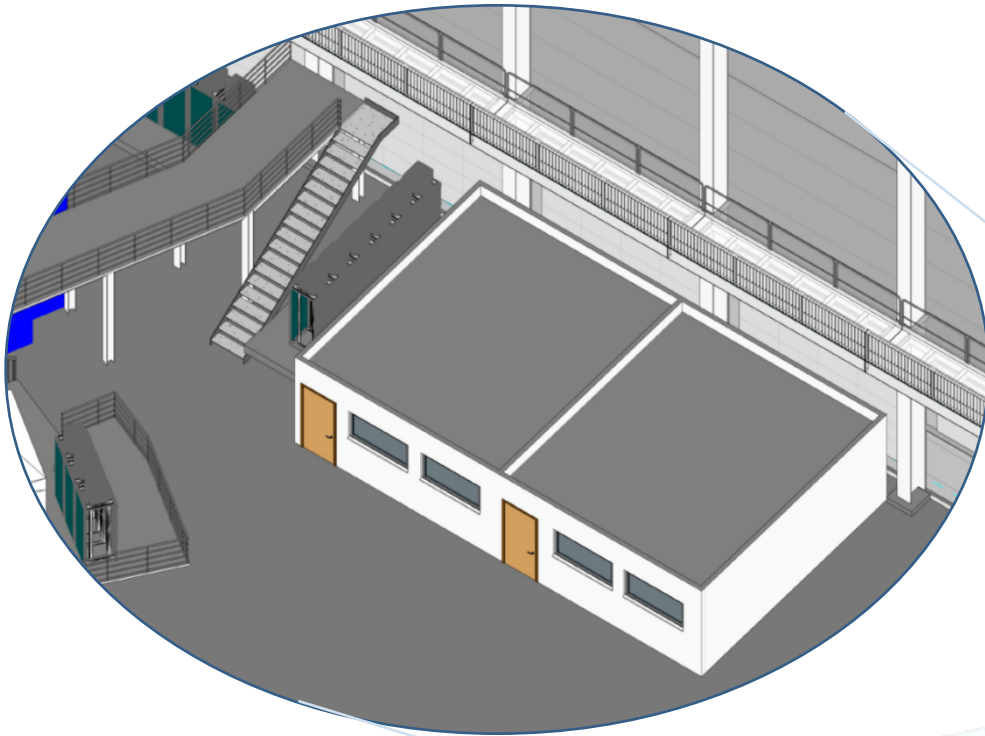


Shielding for Background



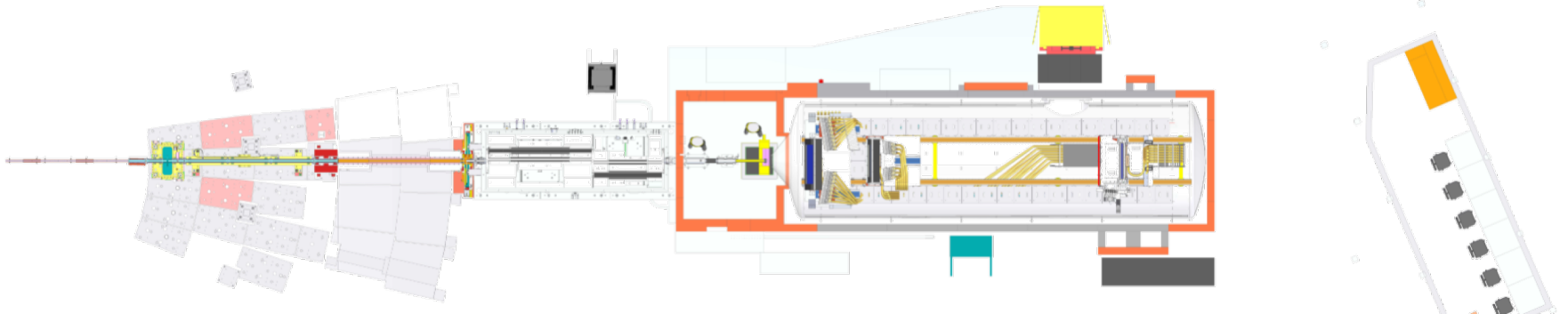
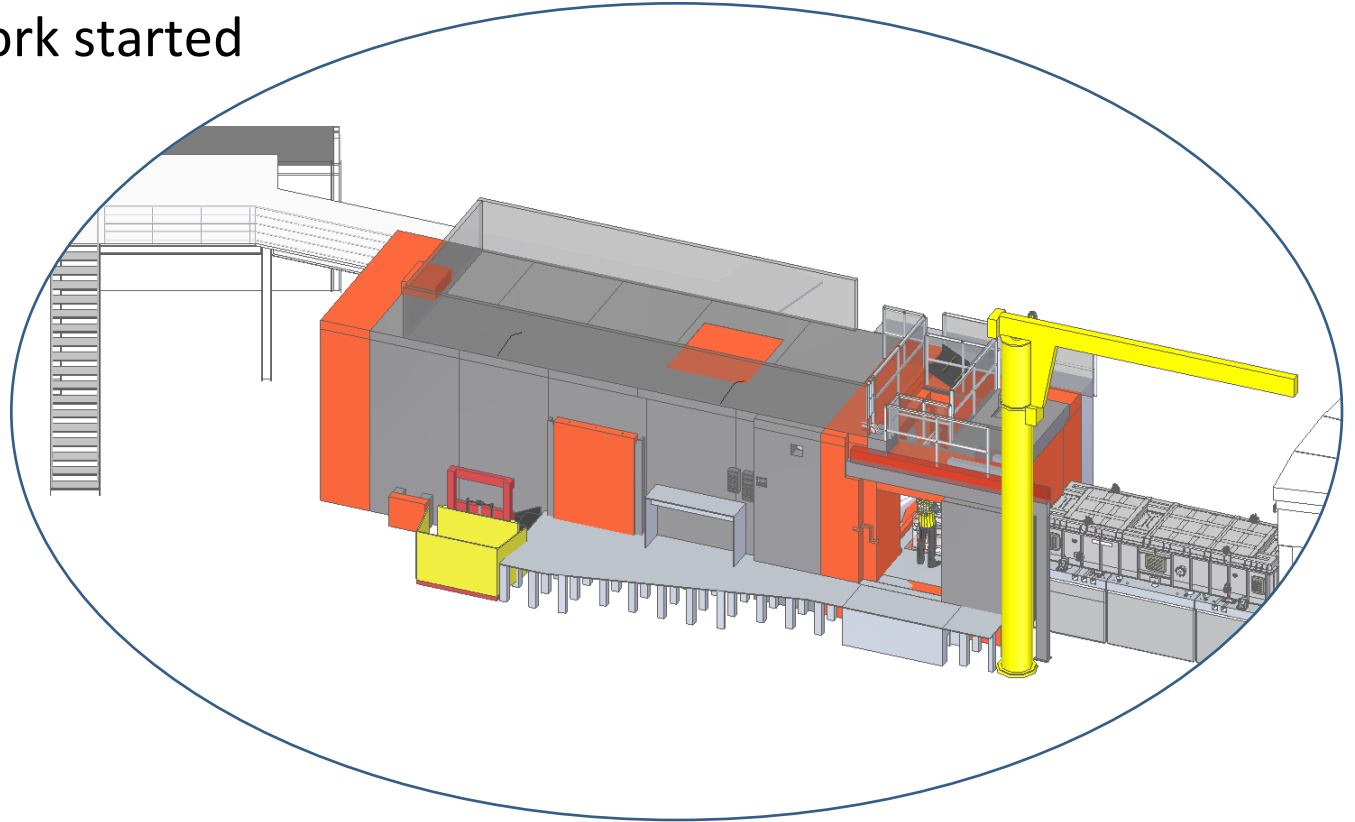
Hutch

- Tender underway



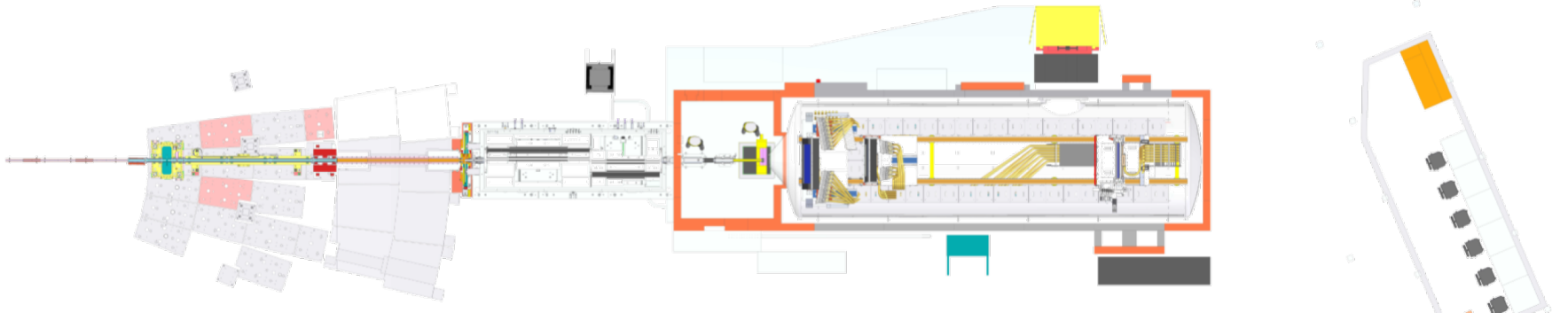
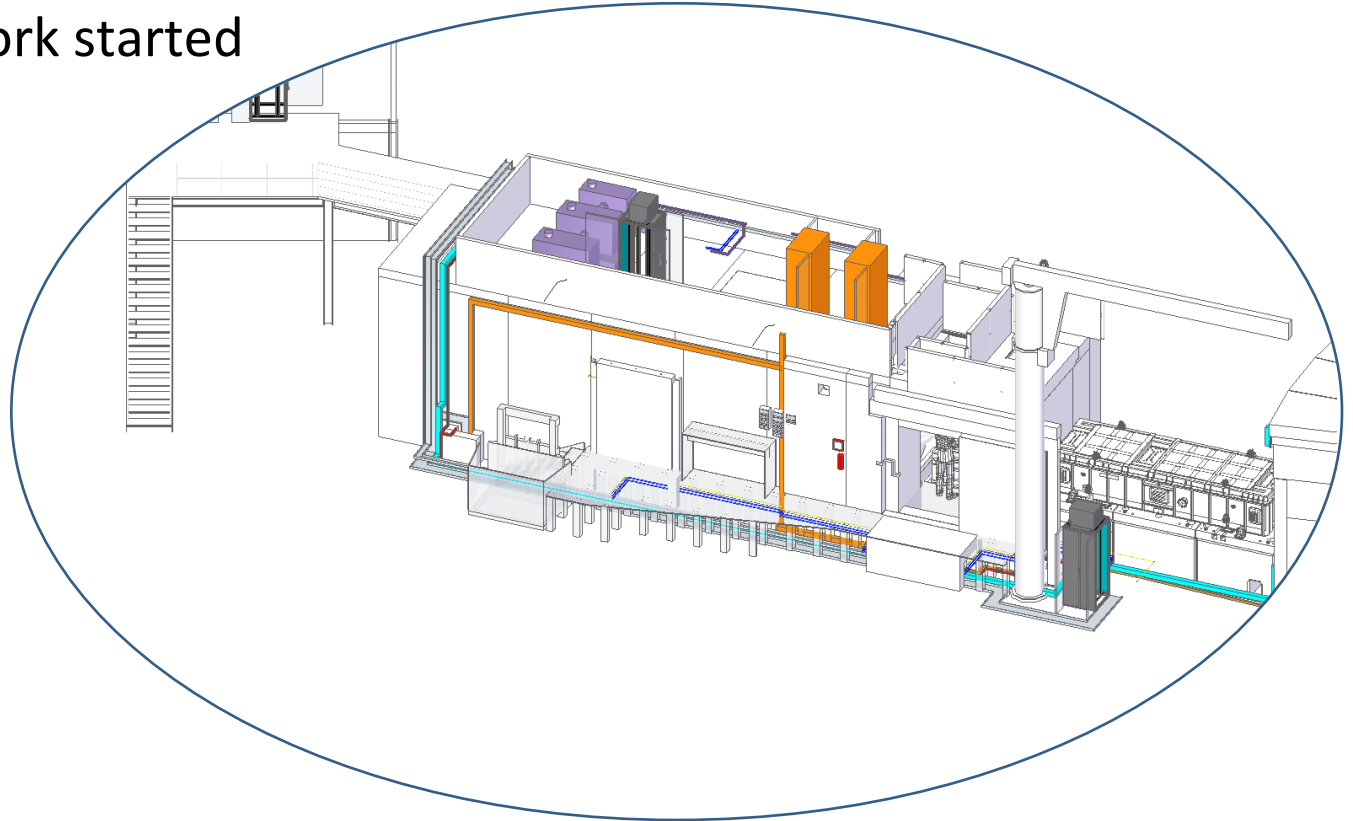
External Access & Supporting Systems

- Concept work started



Service Routes & Racks

- Concept work started



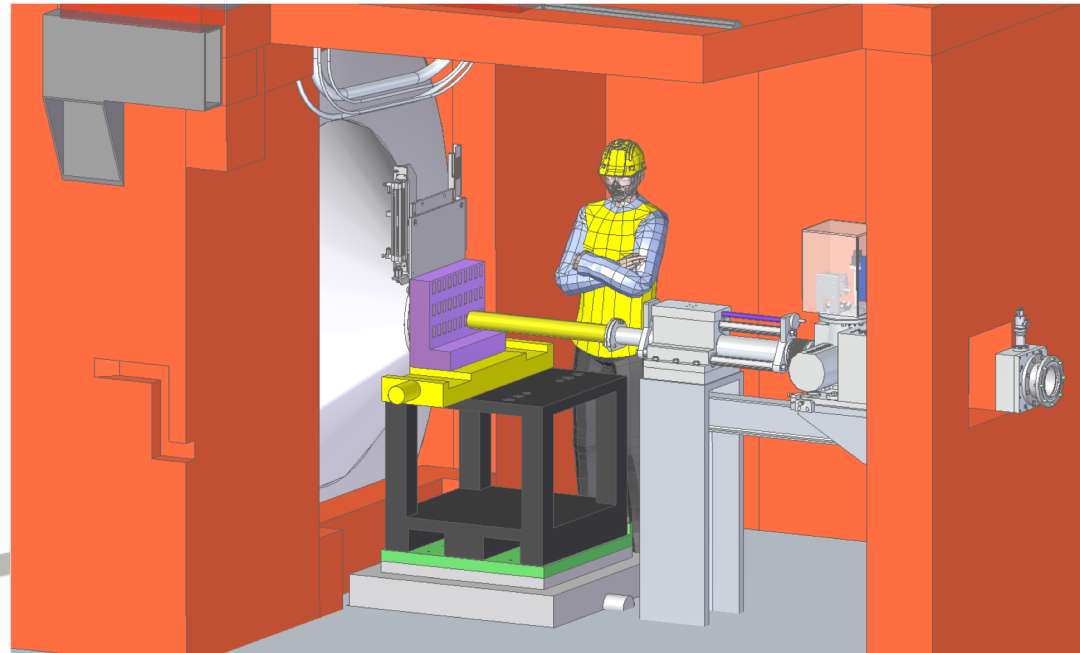
Hazard Analysis & safety

- Status:
 - 1st draft of complete risk assessment for the Loki generated
 - 2x reviews with ESS safety stakeholders carried out
 - Apr 2019 collaborative discussion to determine if the approach is correct
 - Jan 2020 review to agree ESS ‘owned’ mitigations & associated scoring
- Challenges
 - Perspective & expectations of review team ‘too broad’
 - ESS owned mitigations are not defined or are not understood by stakeholders
 - Complexity of the system, and so the hazard analysis, is very high

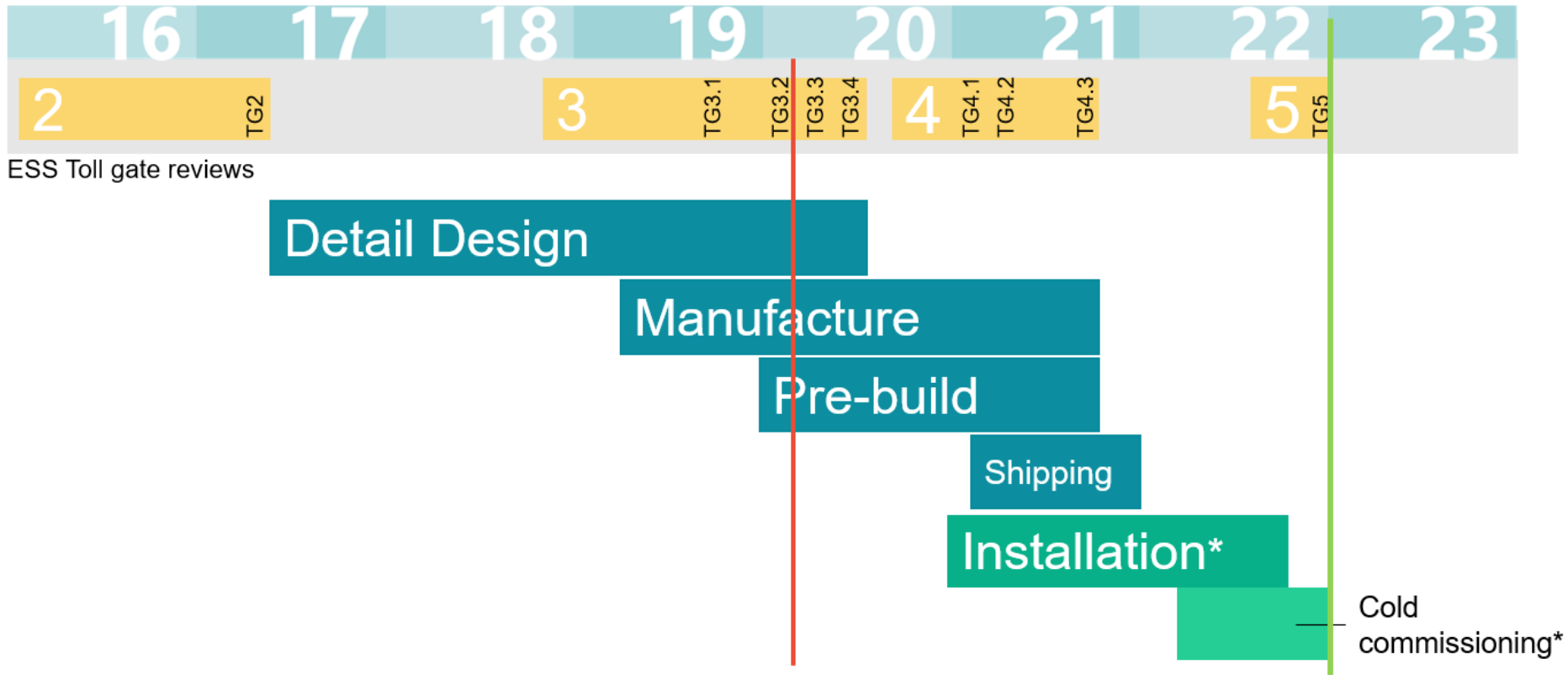


Motion Safety in Sample Area

- Sample area motion can cause fatal injury
- Sample area motion can be remotely controlled
- Sample area motion must be move-able with scientist in touching distance
- Safety system required:
 - Disable remote control
 - Provide local control



TG3 Schedule



ESS Toll gate reviews

Project completion: 23/12/2022

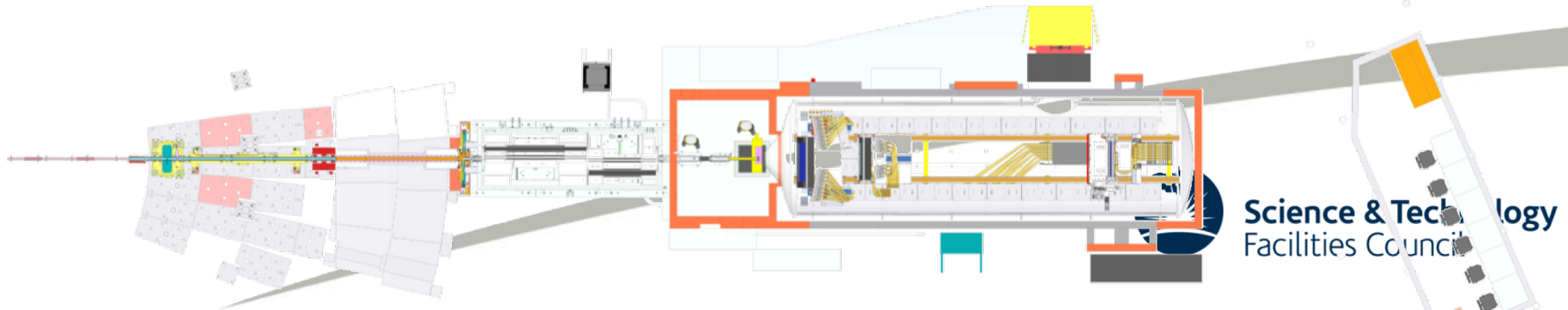
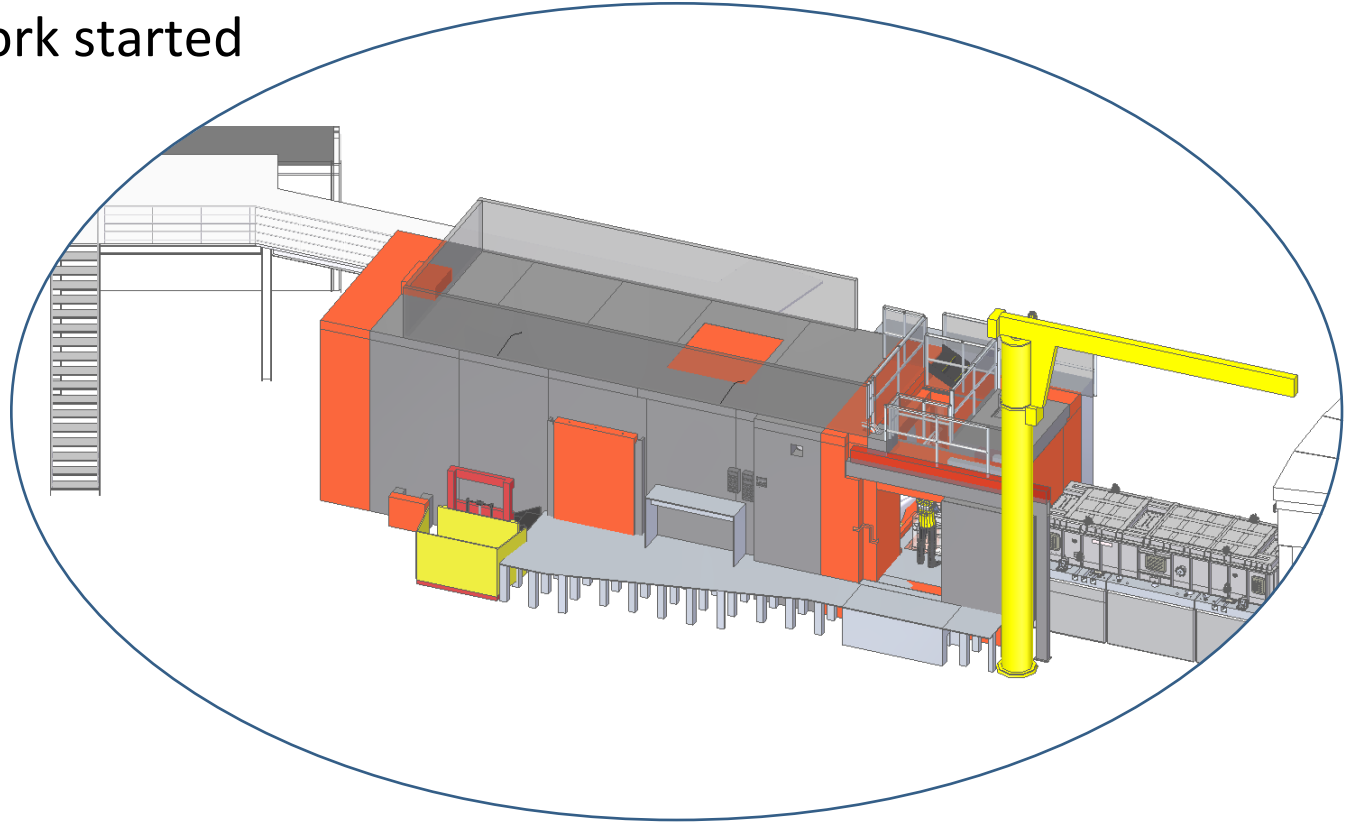
* Carried out by ESS with advice from ISIS



Science & Technology
Facilities Council

External Access & Supporting Systems

- Concept work started



TG3 Schedule

- Some work packages are not ready for TG3
- Designs for these elements are not needed for another 1yr
 - Crane
 - Goods lift
 - Access flooring outside the cave
- Get on with it anyway?



People Working On Loki Design

Will Halcrow

David Turner

Anton Orszulik

Ben Hicks

Gabor Nafradi

Federico Masi

Chris Cornall

James Prince

Peter Galsworthy

Nick Webb

Ben Withers

Simon Cooper

Davide Raspino

Erik Scooneveld

John Dreyer

Richard Heenan

Jacob Simms

Judith Houston

Clara Lopez

ESS technical
groups

SNAG

JJ X-Ray

AVS



Thank You For Listening



Science & Technology
Facilities Council