

# MAGiC update

X. Fabrèges, S. Klimko, T. Robillard, T. Dupont, W.  
Schweika, P. Harbott, C. Klauser, U. Filges

# Project management

- Main point:
  - French tendering process is started
  - It is a loooooong process
- Guide system first: signature 09/20
- Experimental cave to follow
- Sourcing next Tuesday with suppliers

# Project management

- PSI VAT exemption signed
- Work starts on the analyzer next week
- 1 year effort
  - PDR
  - Prototype
  - CDR

# TG3

- Most of the meetings
  - September 20
  - December 20
- Analyzer TG3
  - March 21
  - Final TG3

# Choppers

- ESS common chopper project
- Integration of magnetic guide field in progress
- Meeting tomorrow

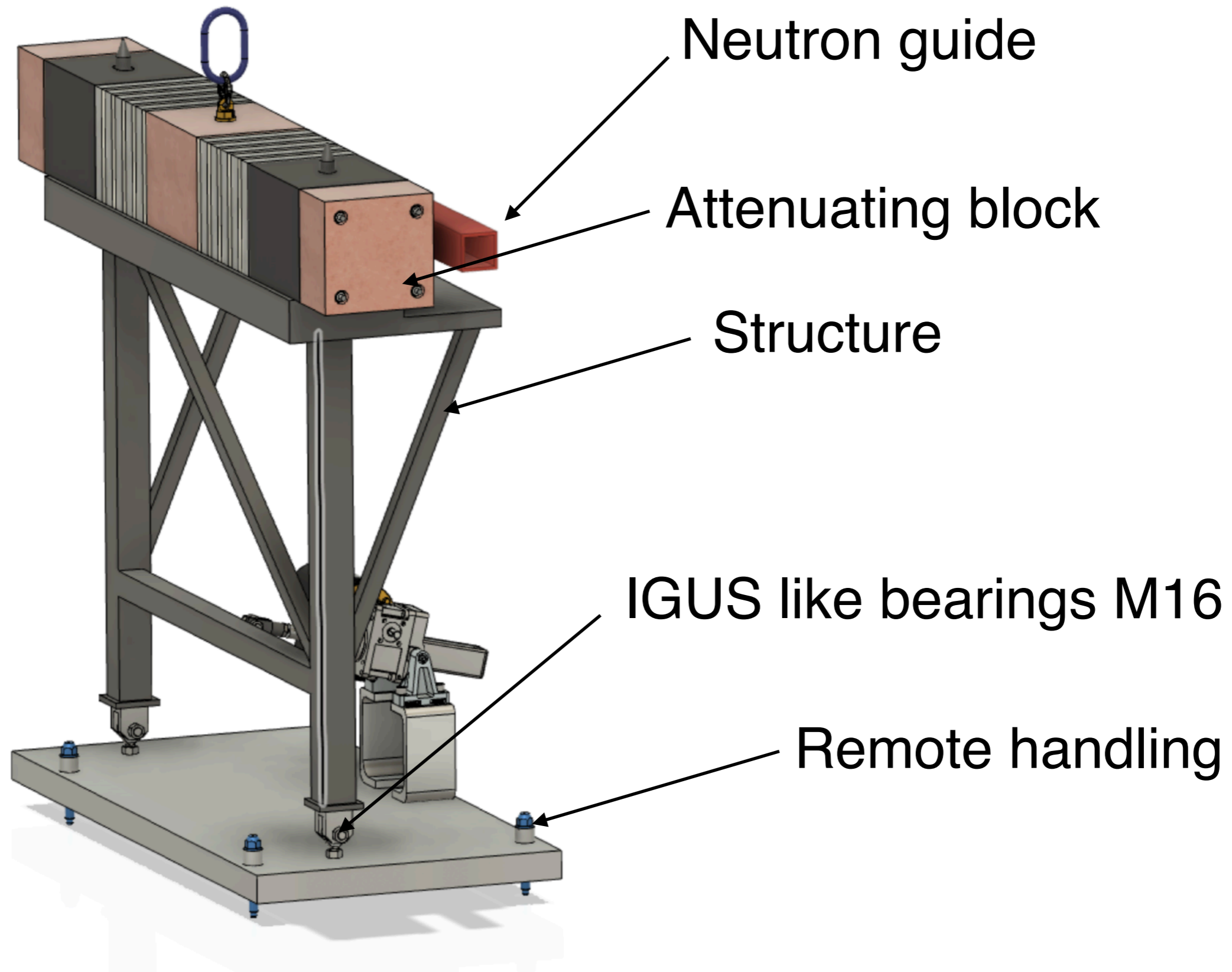
# Detectors

- Kick-off meeting with CDT on 12th February
  - Small adjustments to the geometry
  - Decision taken on power supplies
- List of requirements from detector group needed
  - Power supplies, monitoring, ...
  - Very useful for a successful TG3

# Monitors

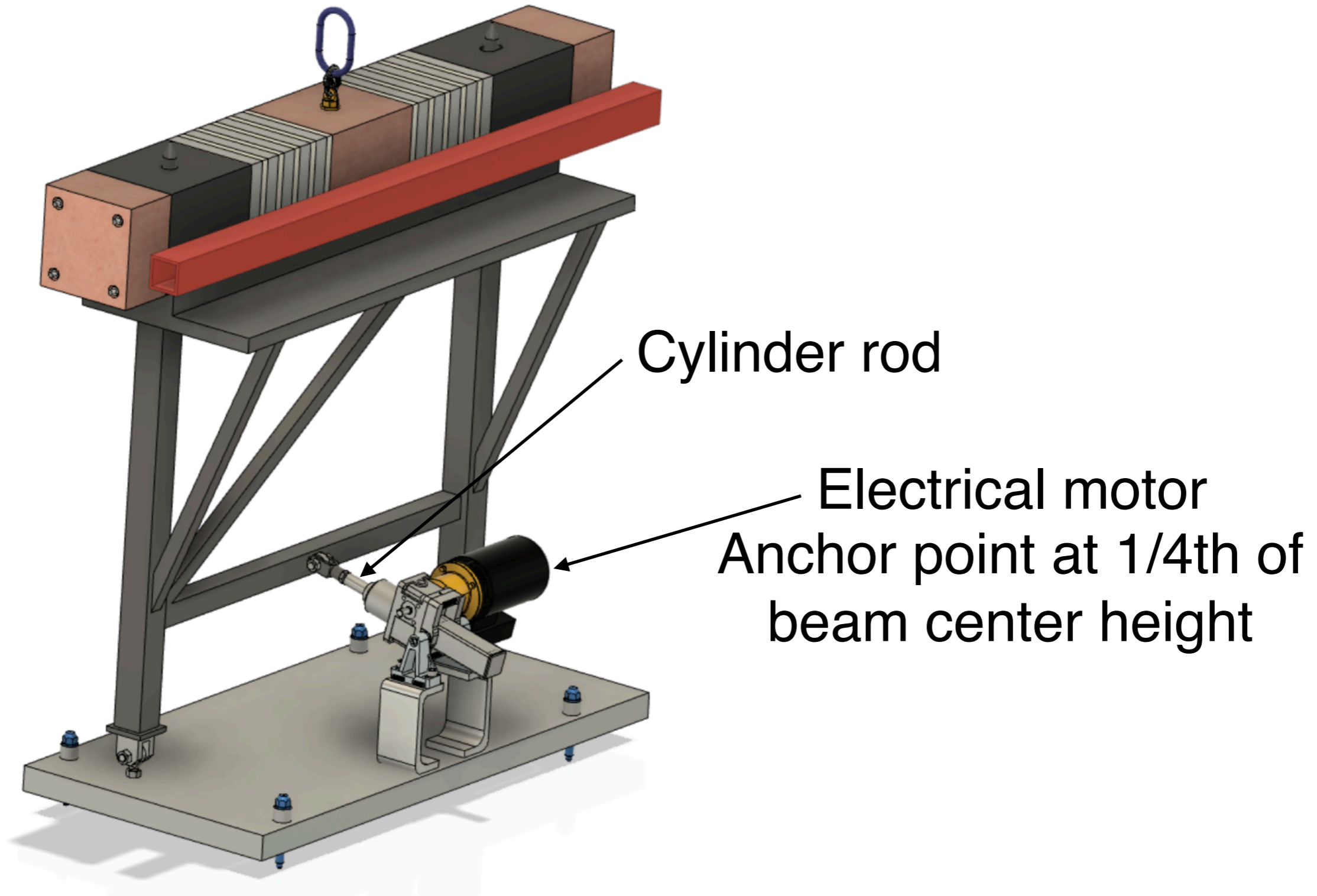
- CTV in April (needs confirmation with Inga)
- Jülich WP => Use DREAM experience

# HS: mechanical progress point





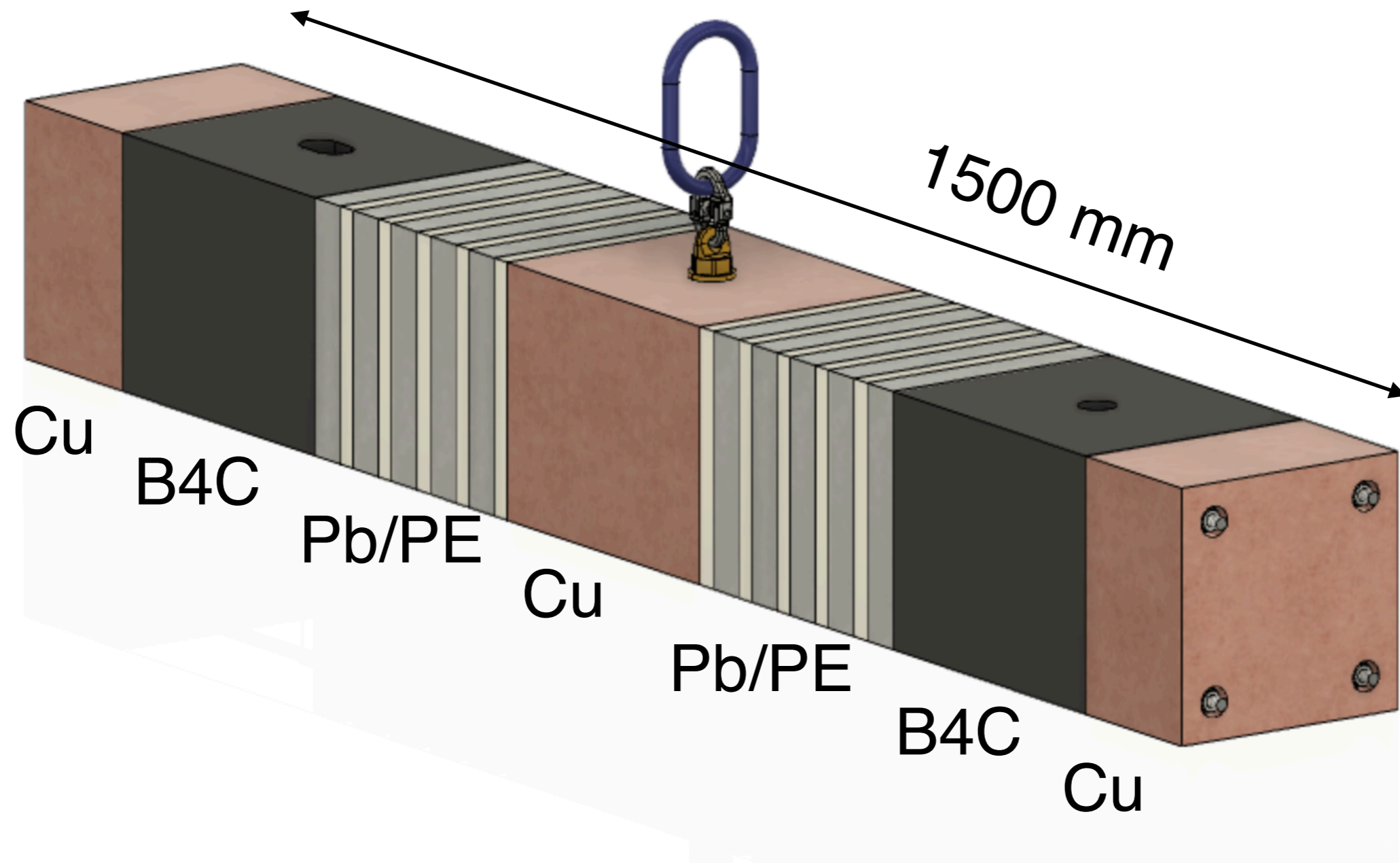
# HS: mechanical progress point



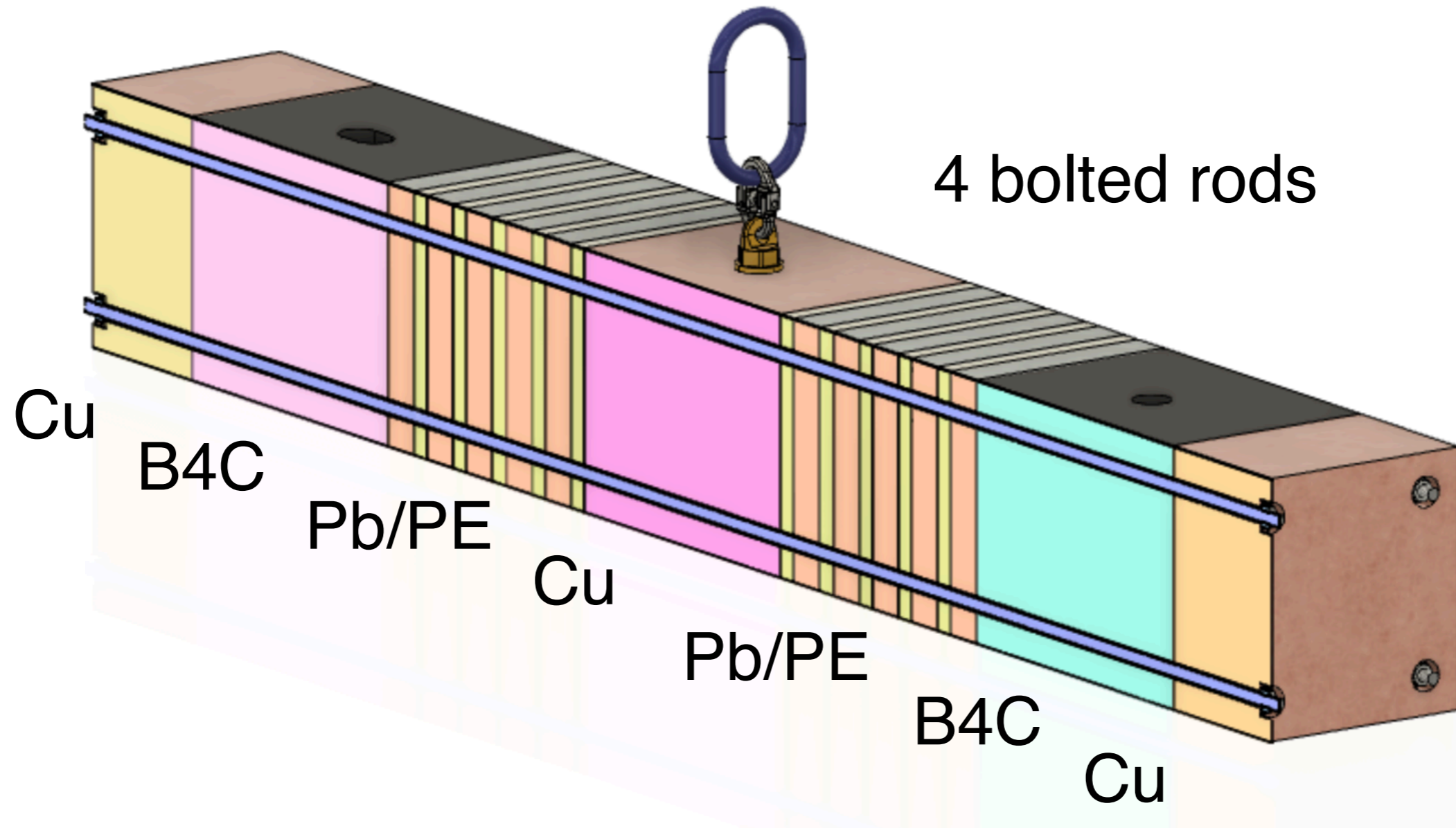
# HS: mechanical TODO

- Hard limit and switches
- Motor and rod gamma protection
- Welded ? Bolted ?

# HS: attenuating block

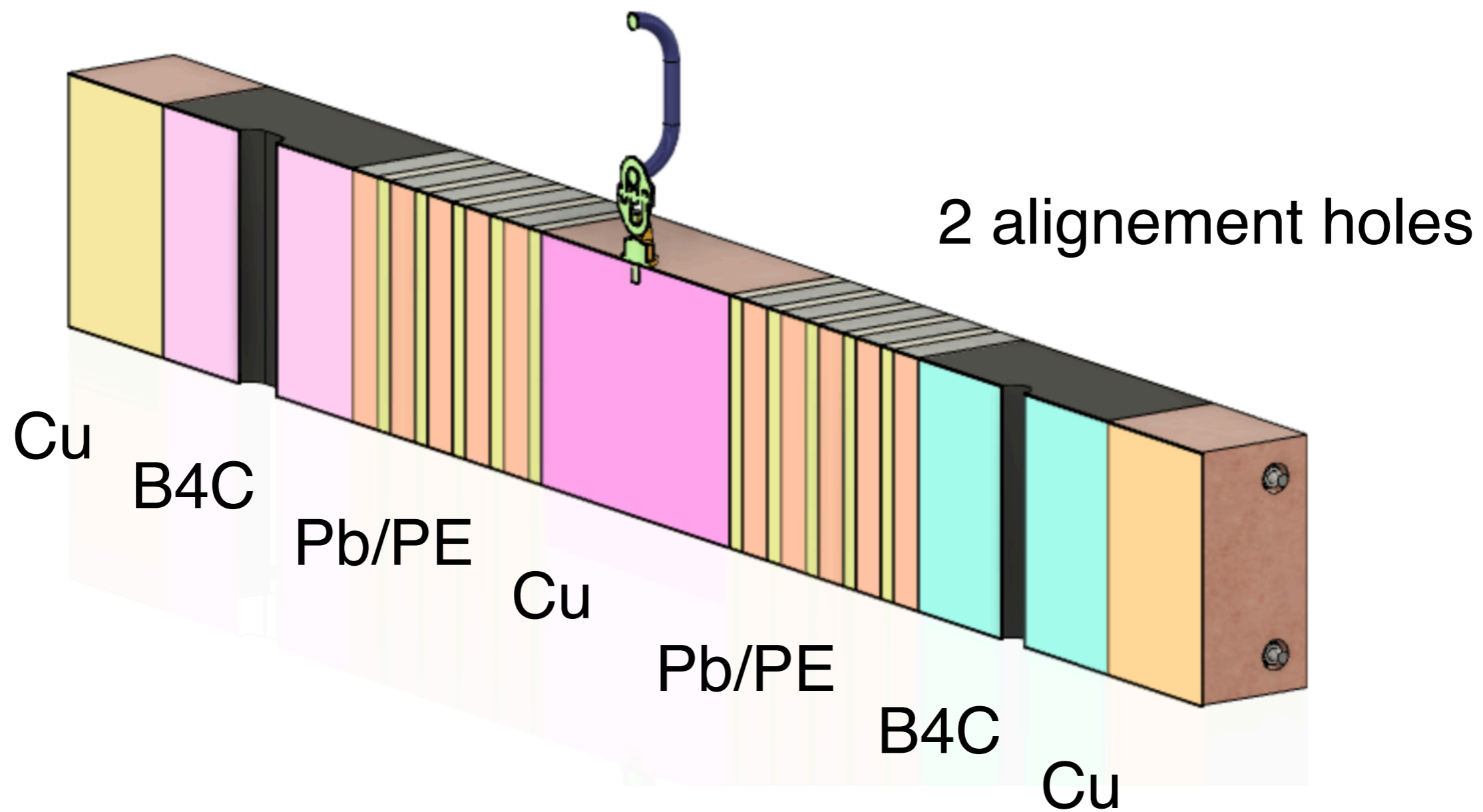


# HS: attenuating block



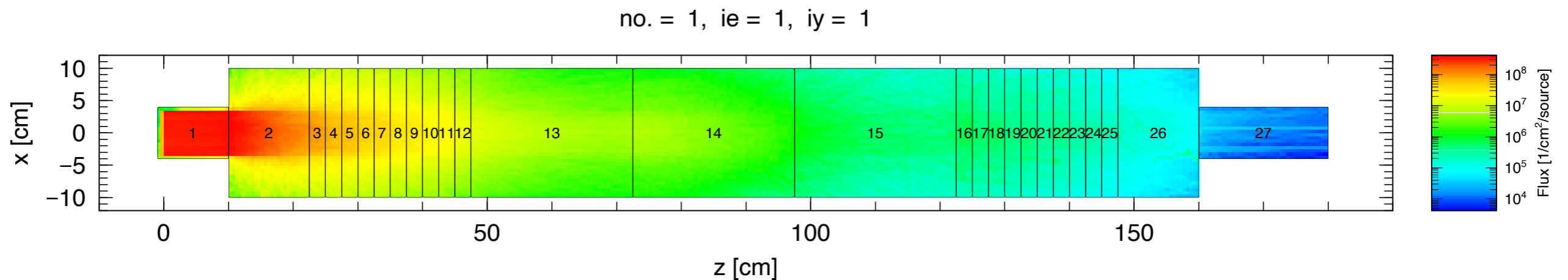
# HS: attenuating block

One lifting eye at CoG



# HS: neutronics

- PHITS calculation of flux in HS
- Needs conversion to dose-rate (in progress)



- 3500 mm collimation after the HS

# Beamline shielding

- First blocks installed !
- Excellent progress and project management
- Visit right after the session.
- Photos next time !

# Experimental cave





# Experimental cave



# Experimental cave

- Neutronics calculations done
- Report in progress
- Expected results next week
- Contract signed in September
- Installation in Q1 21 !

# Polarization

- Guide field design: done
- Rotator design: done
- Saturation field: done
- BBG to chopper design: done
  
- Spin flipper: TODO
- Guide field at sample: in progress

# Polarization

- Guide field design: done

- Rotator design: done

- 

**Meeting with Hal on the 30th of January**

- 

**Polarization workshop at ESS end of March**

- Spin flipper: TODO

- Guide field at sample: in progress

# Analyzer

- Work starts next week
- PDR in June
- Prototype tested at PSI in July
- Expected TG3/CDR Q4-20 → Q1-21