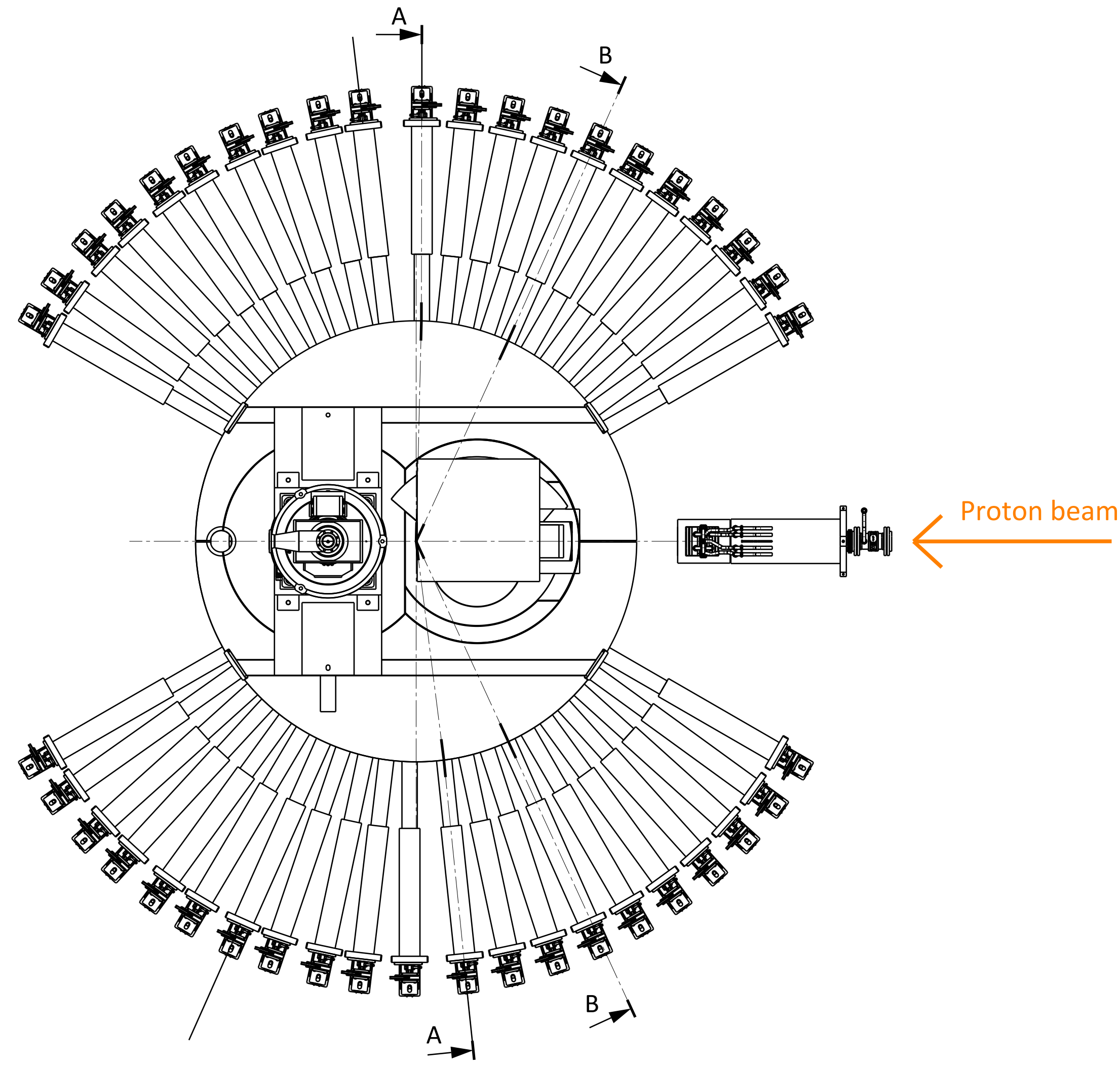
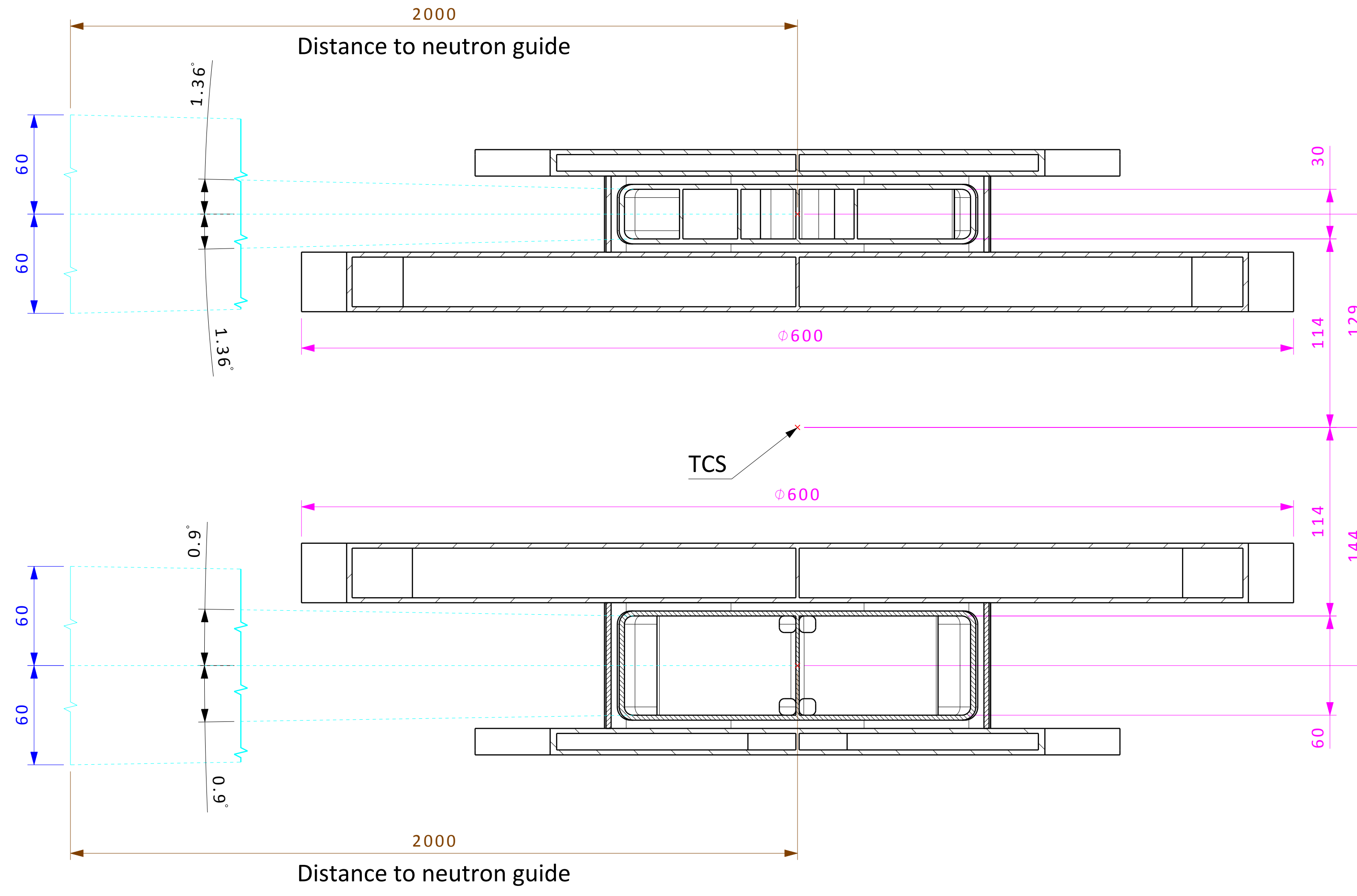


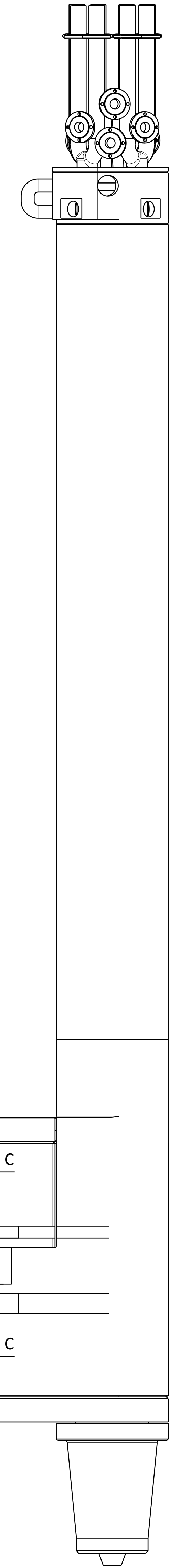
Monolith and neutron guides
(1:50)



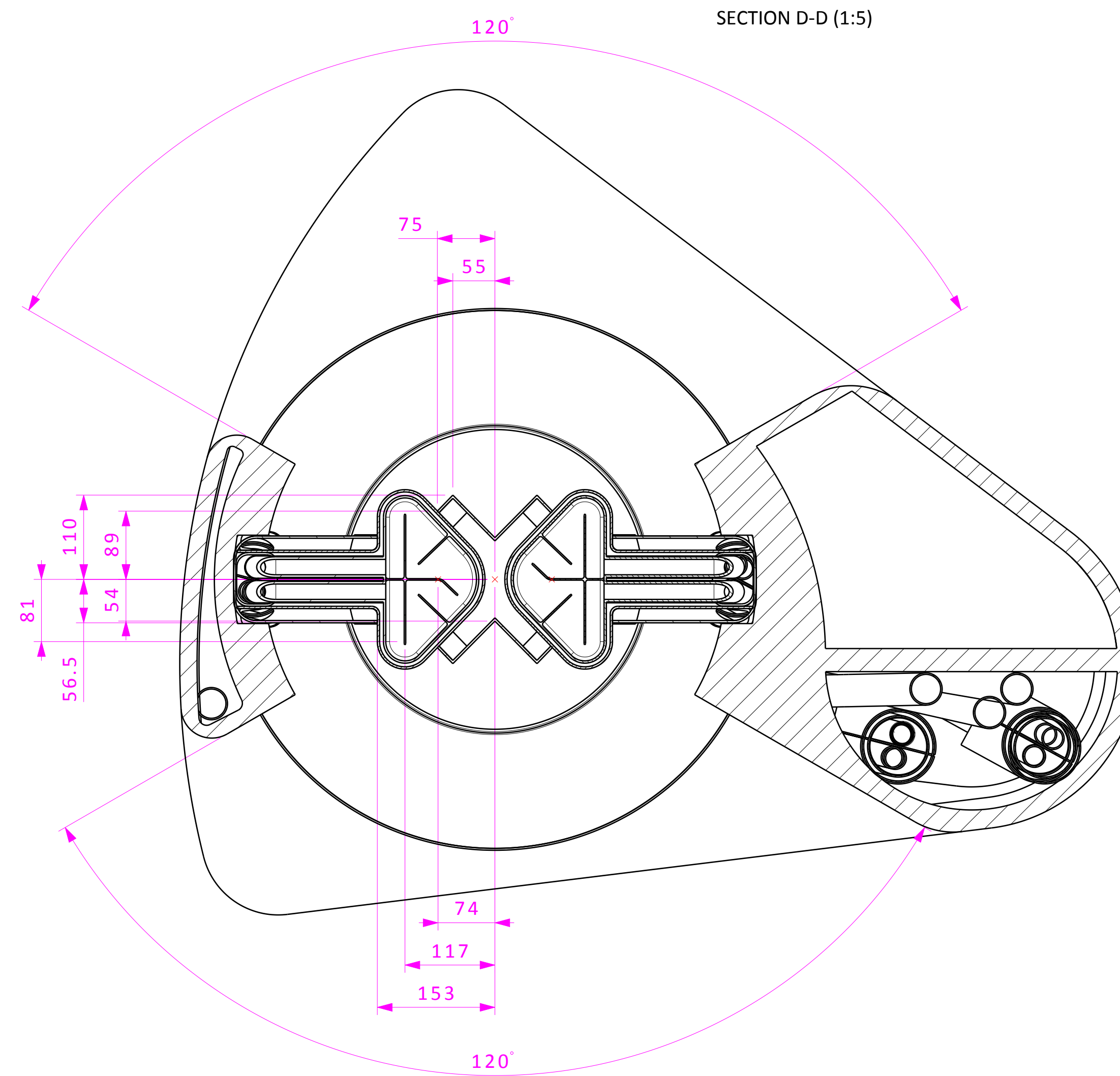
SECTION C-C (1:2)



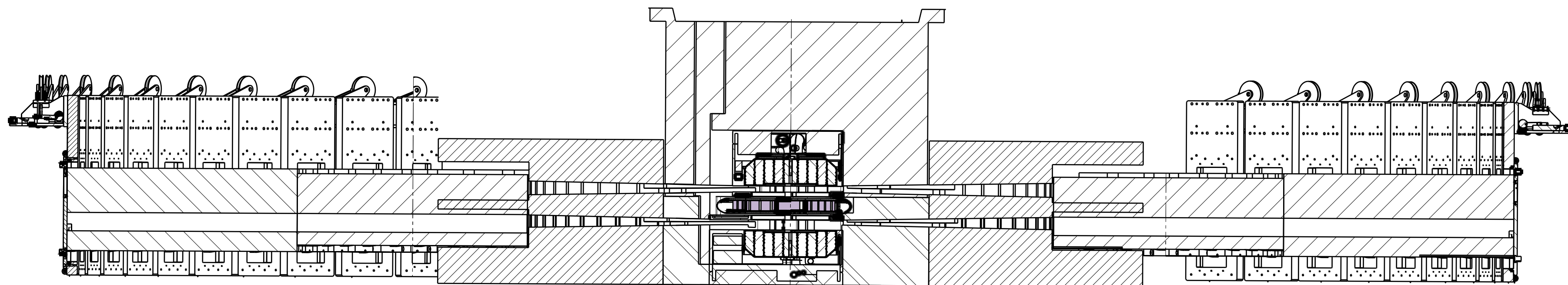
Moderator system
(1:10)



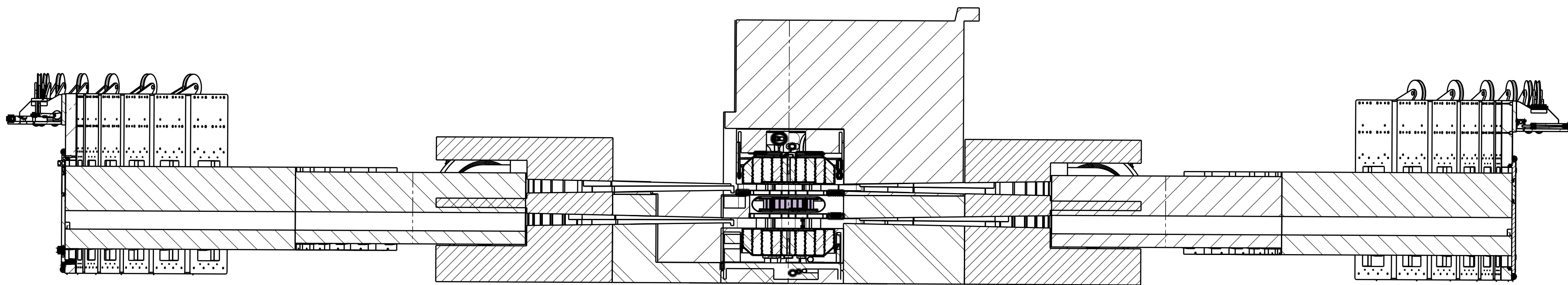
SECTION D-D (1:5)



SECTION A-A (1:25)



SECTION B-B (1:25)



ASSY WEIGHT: - kg	DRAWING TITLE: SUPPLEMENTARY TITLE		DRAWING NUMBER	
General Tolerances	ICD Moderator-NSS		ESS-0032315.3	
Linear Dimensioning	ISO 2768-mK	MODELLED BY	DATE	REVISION
Form and Position	ISO 2768-vK	markusanderson	26/05/2015	
Chamfers, Holes and Angular Dim's		DRAWN BY	DATE	SCALE
SURFACE FINISH	Min. Ra 3.2	markusanderson	26/05/2015	1.3 1/1
Documentation protection as per	ISO 16016	CHECKED BY	DATE	SIZE
		Marc Kickulies		B A0
EUROPEAN SPALLATION SOURCE	DESIGN SITE	APPROVED BY	DATE	CAD SOFTWARE
	ESS Lund	Daniel Lyngby		CATIA V6
This drawing is produced to ISO 1101, 8015 and 1302				