



Mobile Crane Design

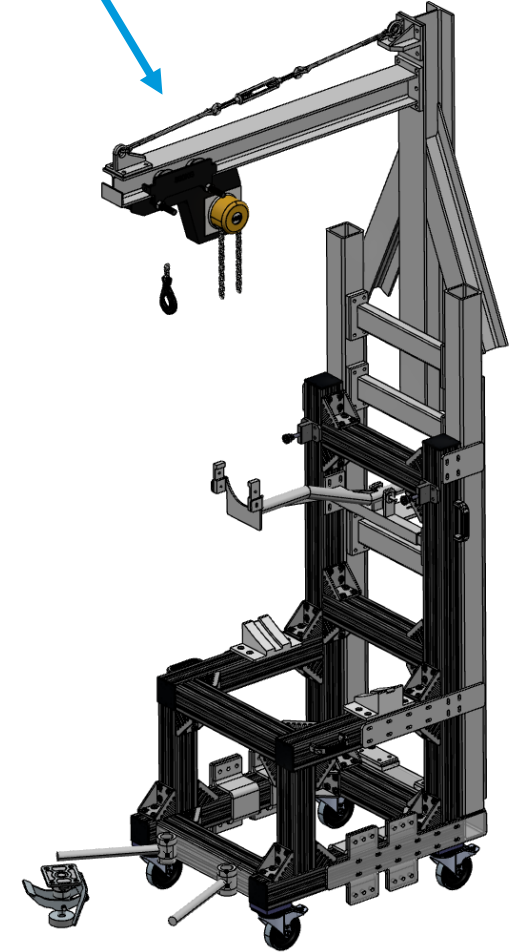
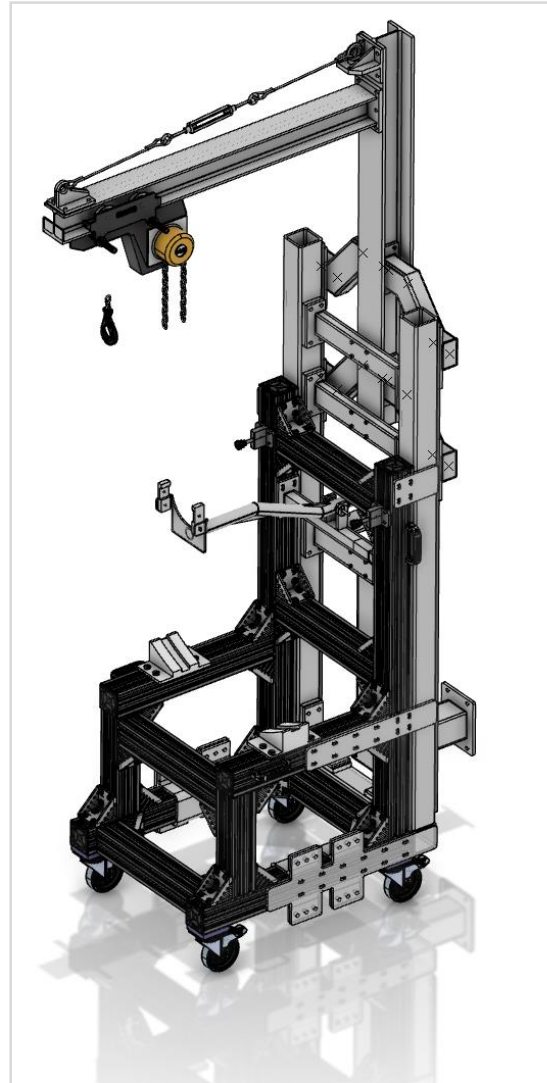
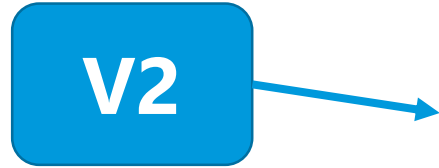
Design & Engineering Division

PRESENTED BY KONSTANTINOS IAKOVIDIS

2023-11-09

Mobile Crane Design-V2

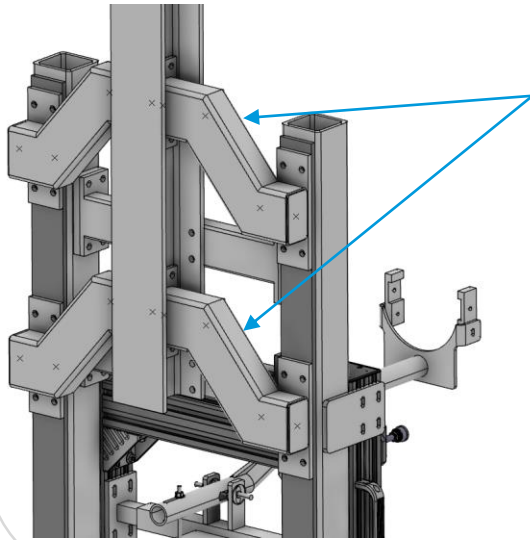
This is an updated version of the mobile crane design for the Cryo modules maintenance.



Mobile Crane Design-V2

New design after inputs:

2

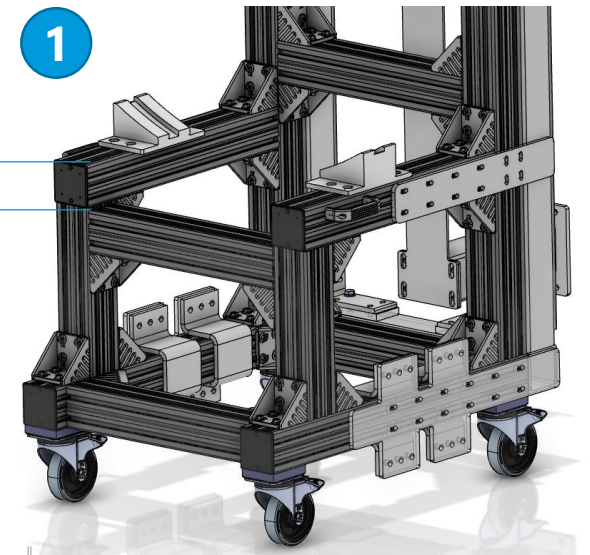


- Supporting profiles has been changed with different profiles
- Easier assembly
- Less heavy

The new design has been structurally analyzed – More to Jonathan's report

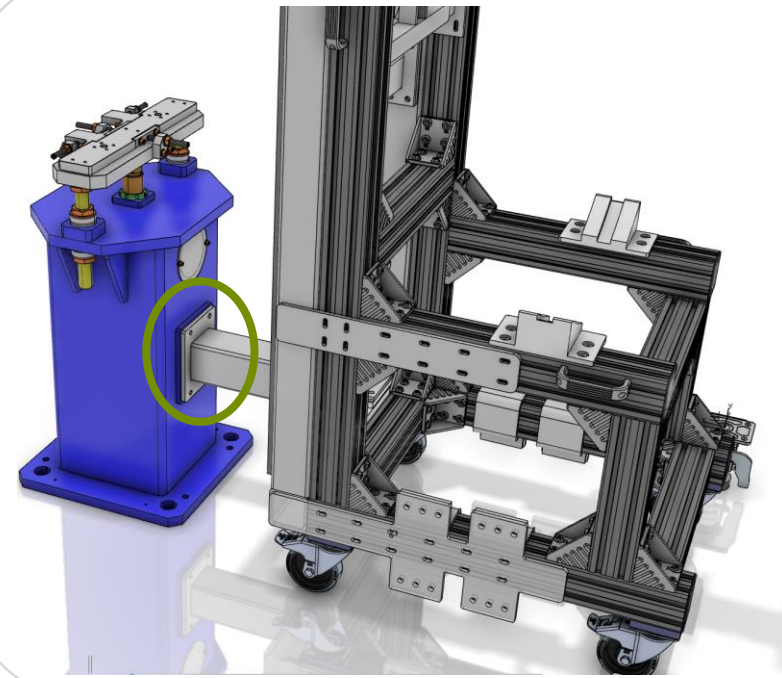
1

90mm



- The whole mobile crane assembly will be mounted to the pillars for safety reasons

3



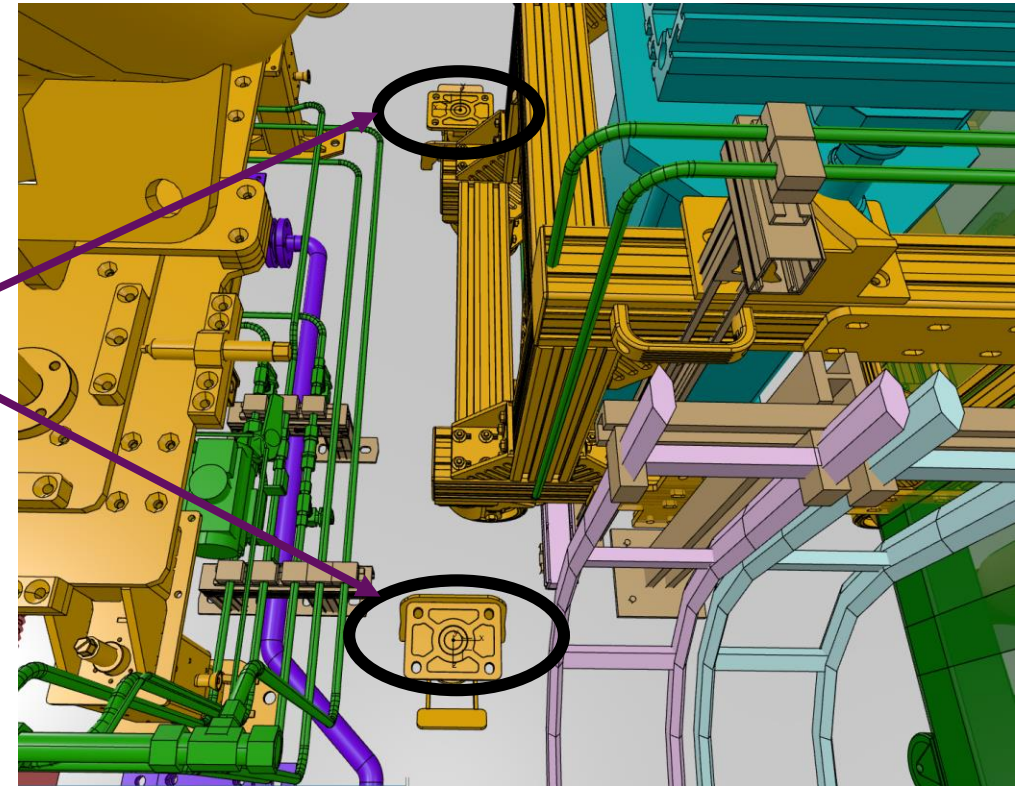
Mobile Crane Design-V2

Do you see any show-stopper?

The suggestion is to install two feet for safety and in order to avoid too much load on the front wheels.

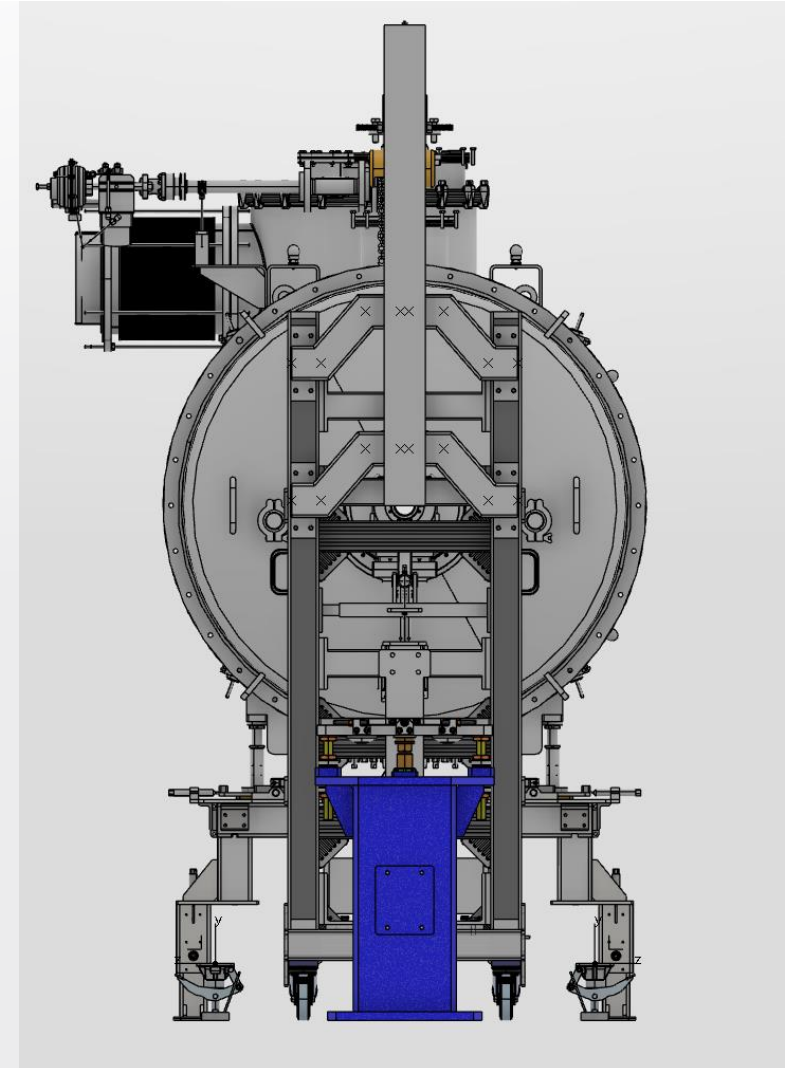
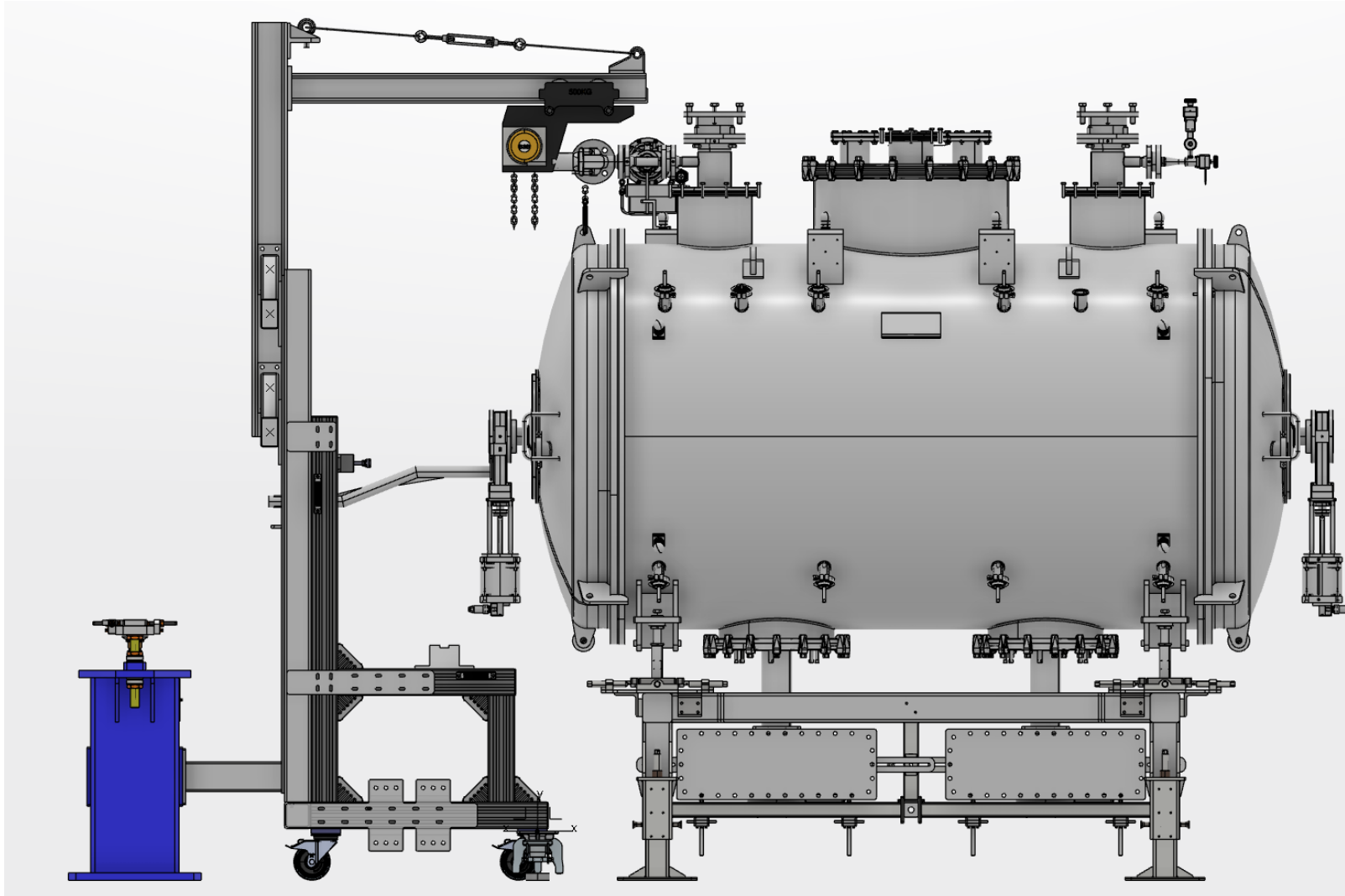
The feet will be attached on a foldable mechanism in order to be easier movable.

Position of the proposed stabilization feet



Mobile Crane Design-V2

The rest of the initial design remains the same with no differences.





Thanks for your attention!

Questions?

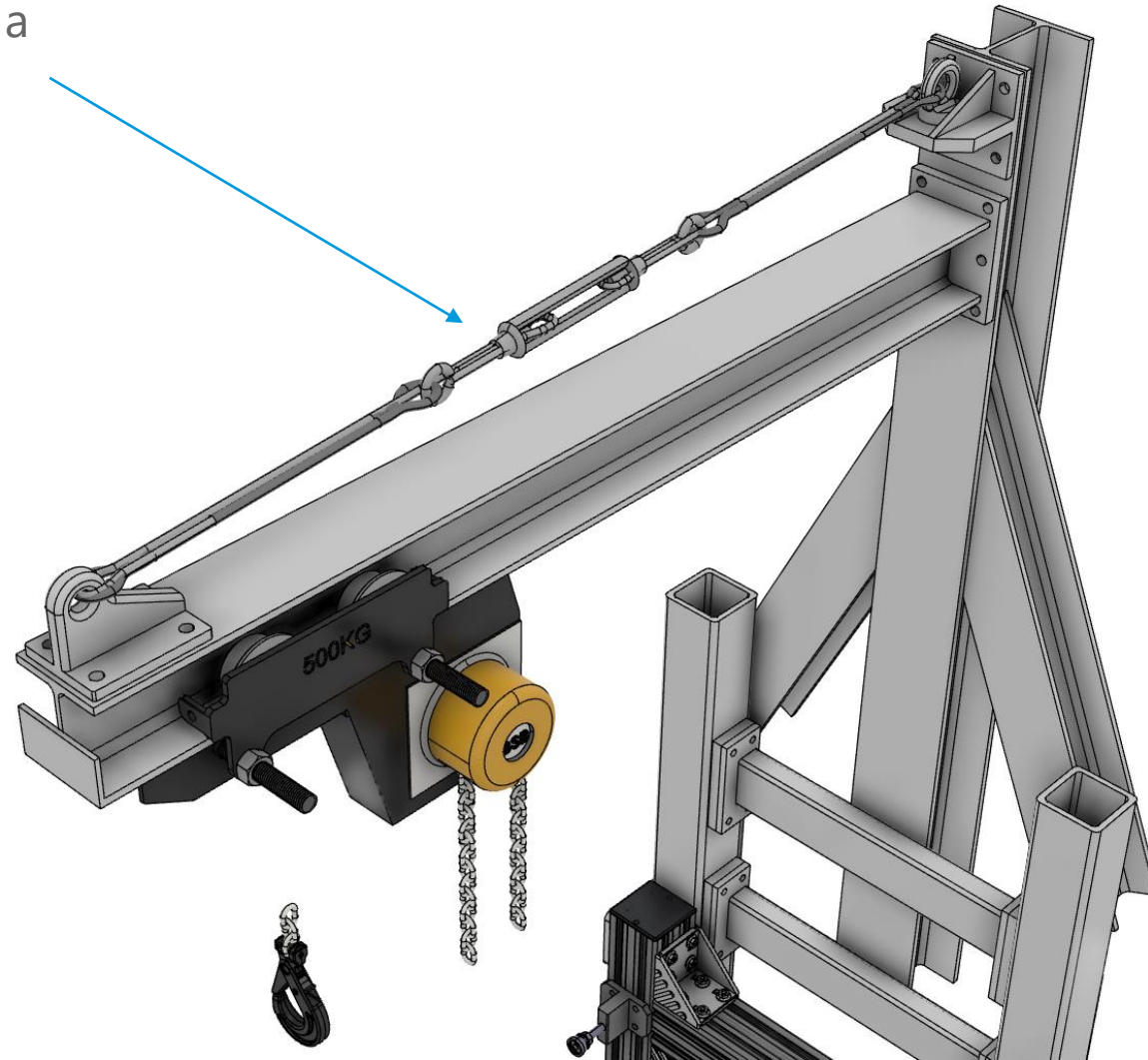


Back-up slides

Mobile Crane Design

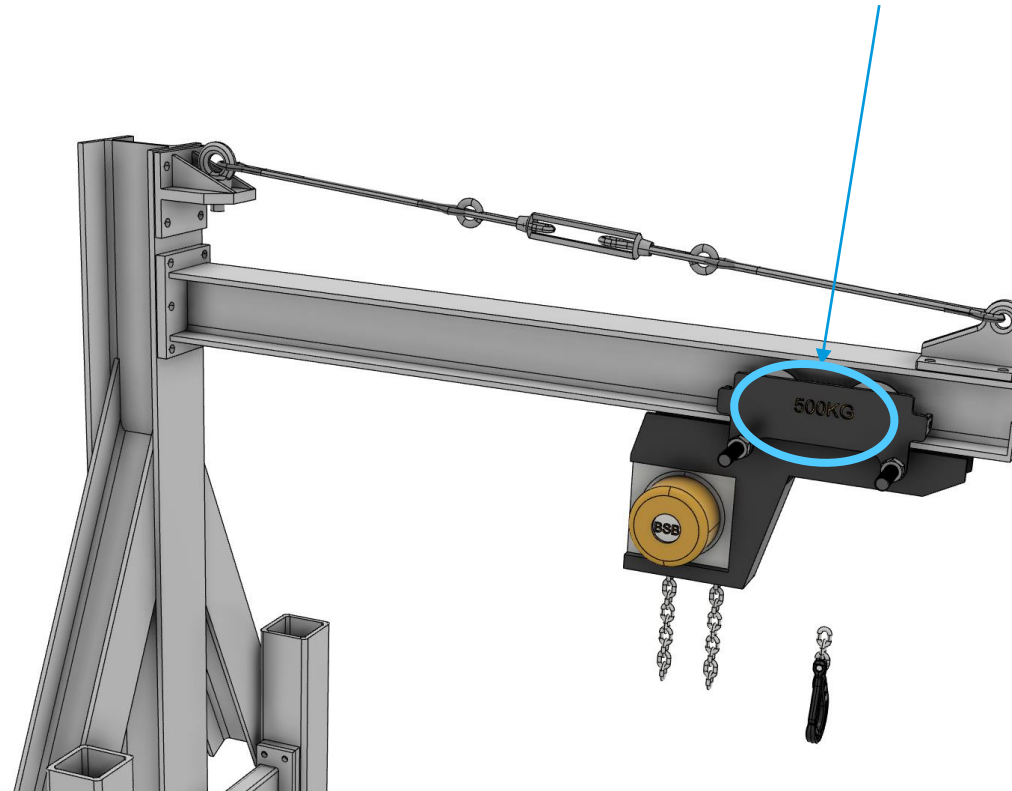
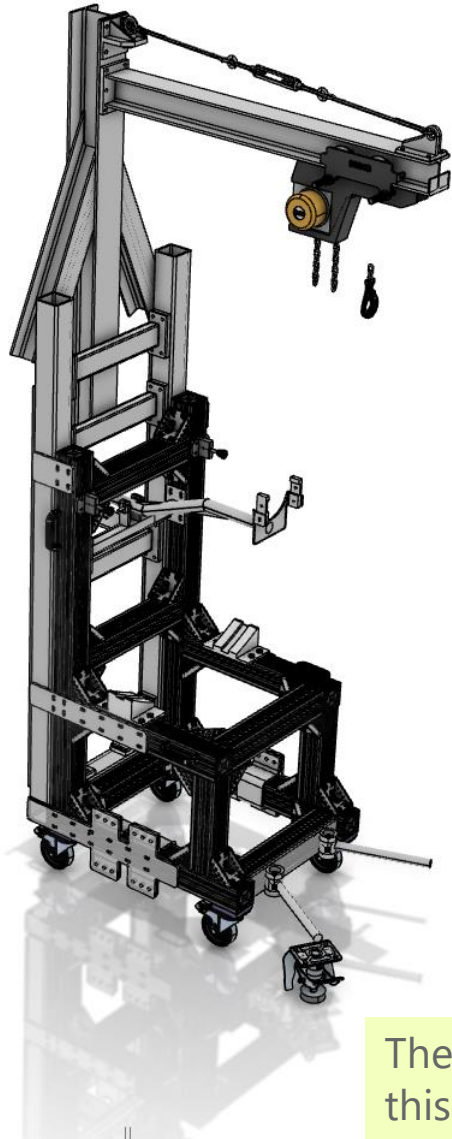
Metal rope wire to be used as a support. It will exist an length adjustment element.

A structural analysis will be performed in order to insure that the mobile crane can handle the weight of the lid. Already in contact with the corresponding Dept.



Mobile Crane Design

Consists of a crane of Max. lifting capacity of 500kg available in the market to the following [link](#)



The materials used for this design are Steel.