



# *Mobile Crane Design*

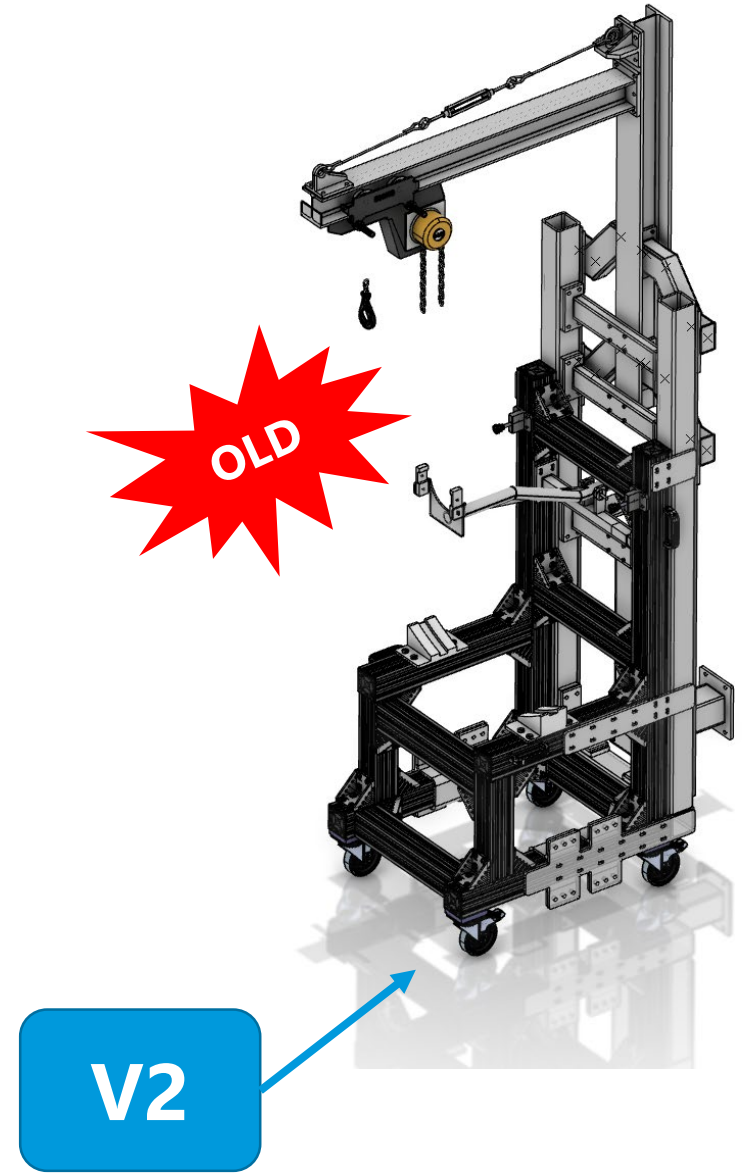
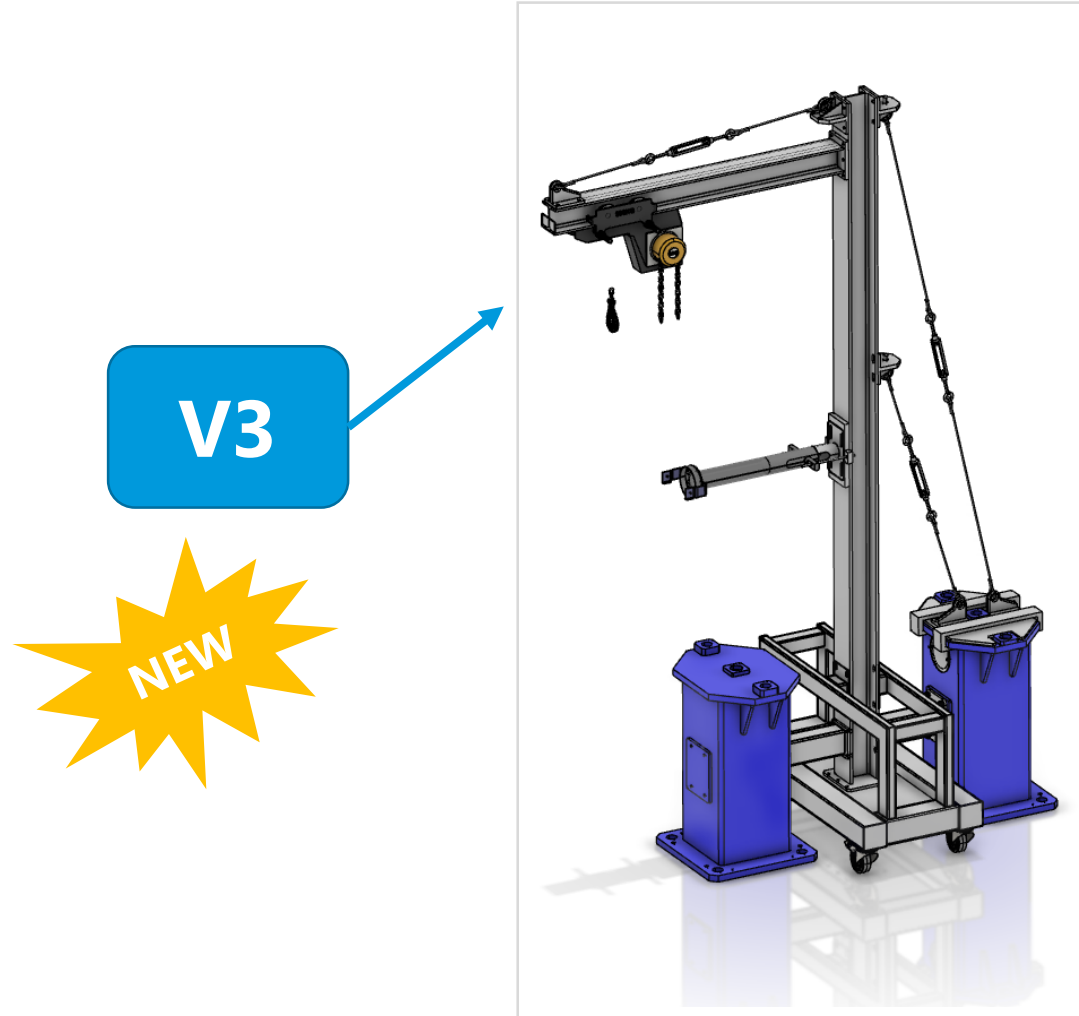
Design & Engineering Division

PRESENTED BY KONSTANTINOS IAKOVIDIS

2024-10-02

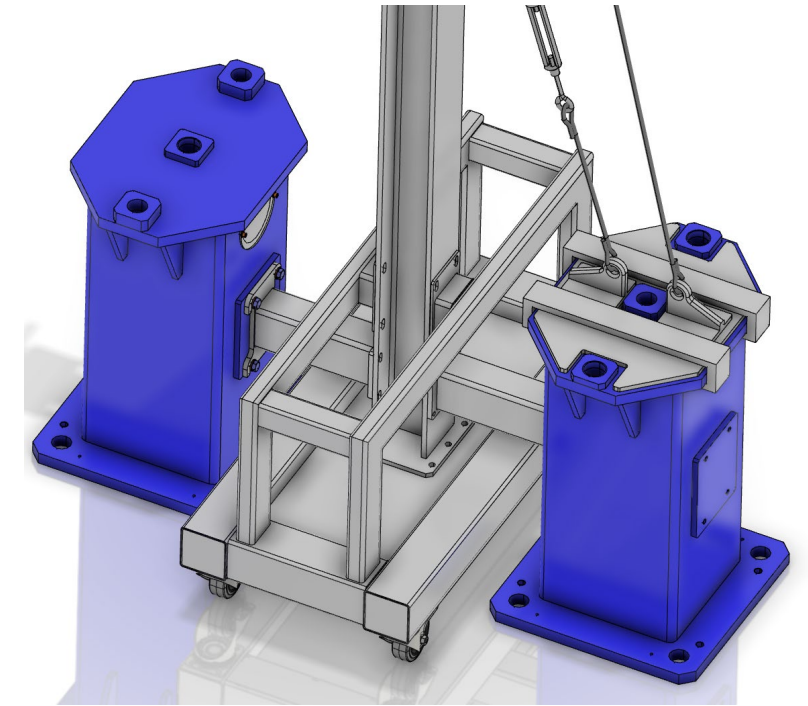
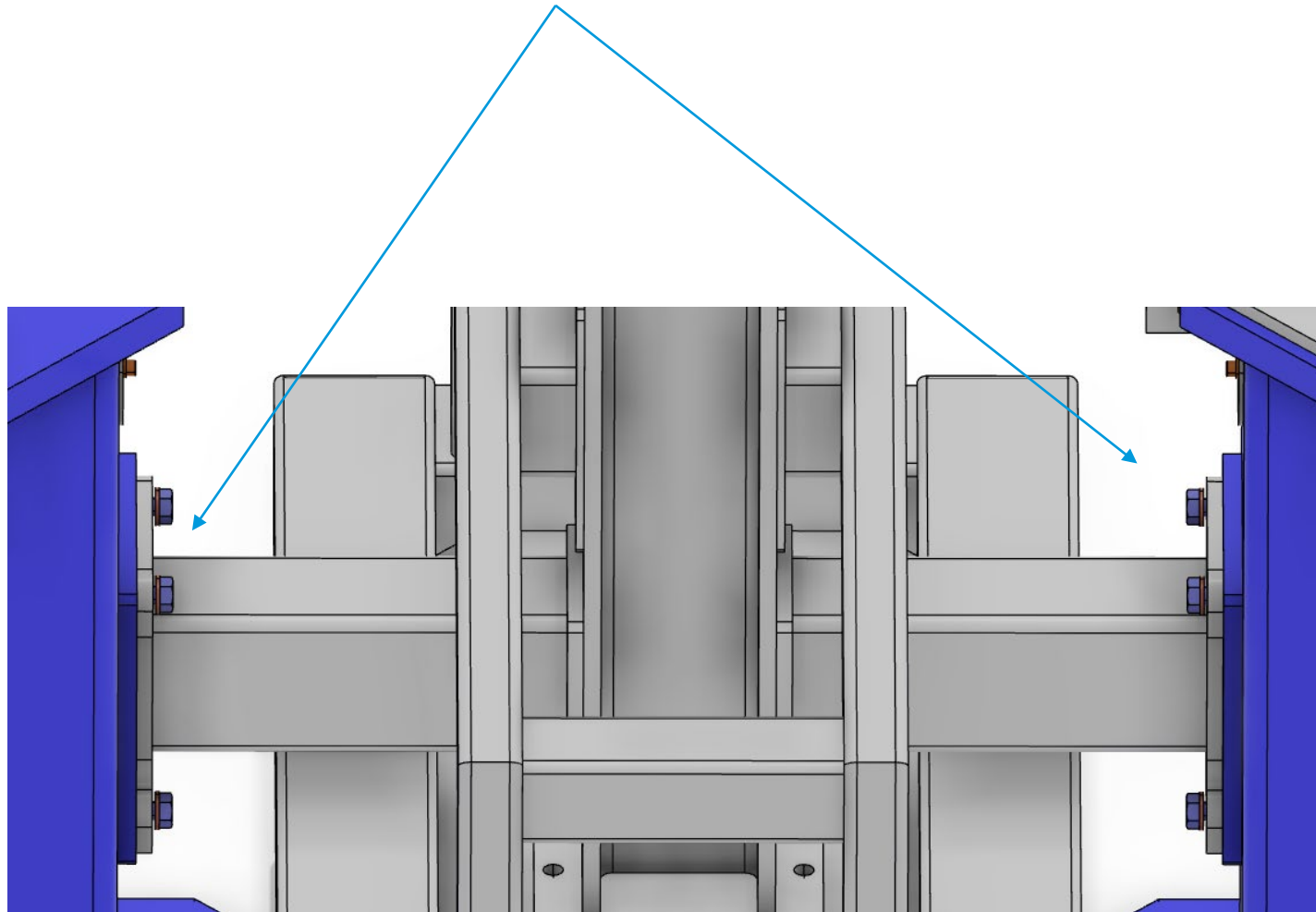
# Mobile Crane Design-V3

This is an updated version of the mobile crane design for the Cryo modules maintenance.



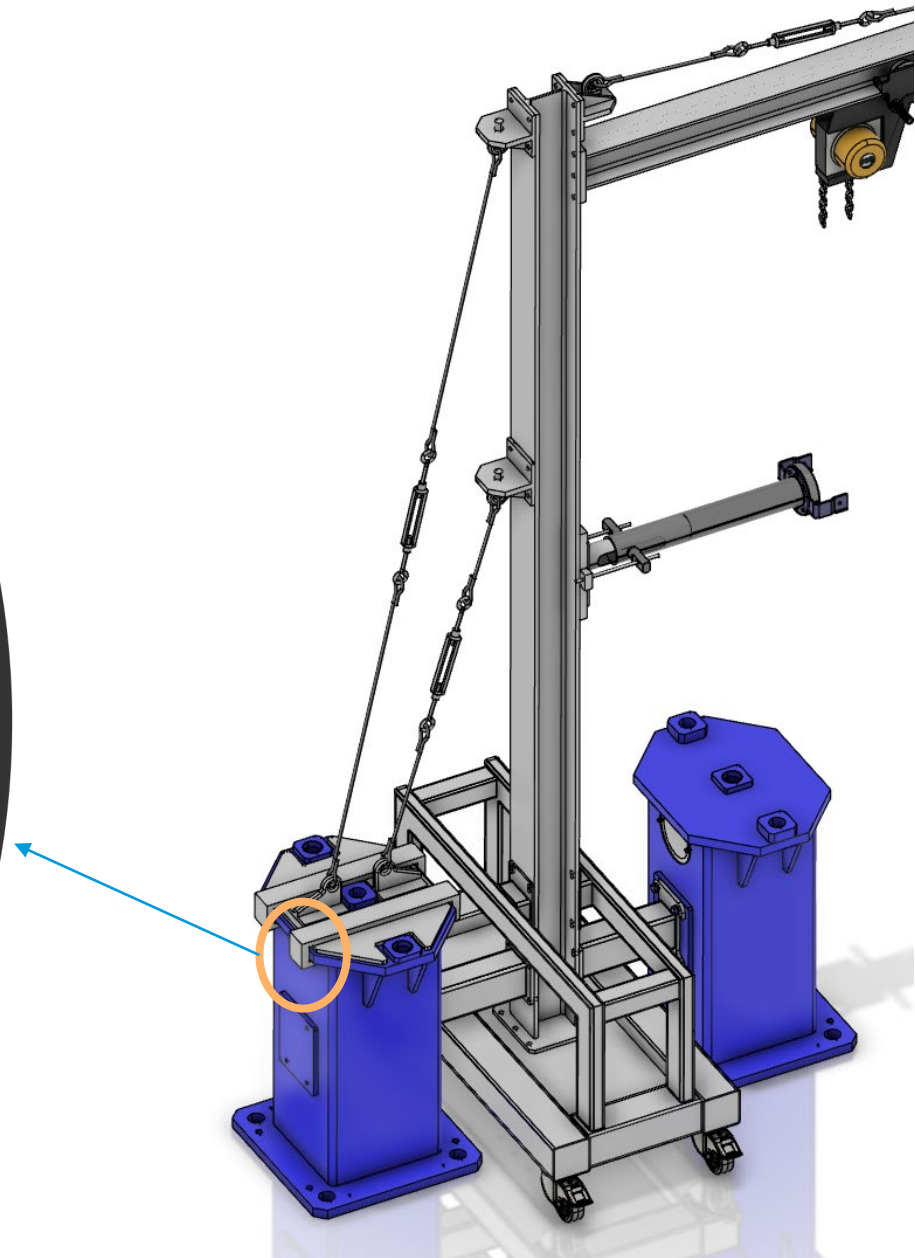
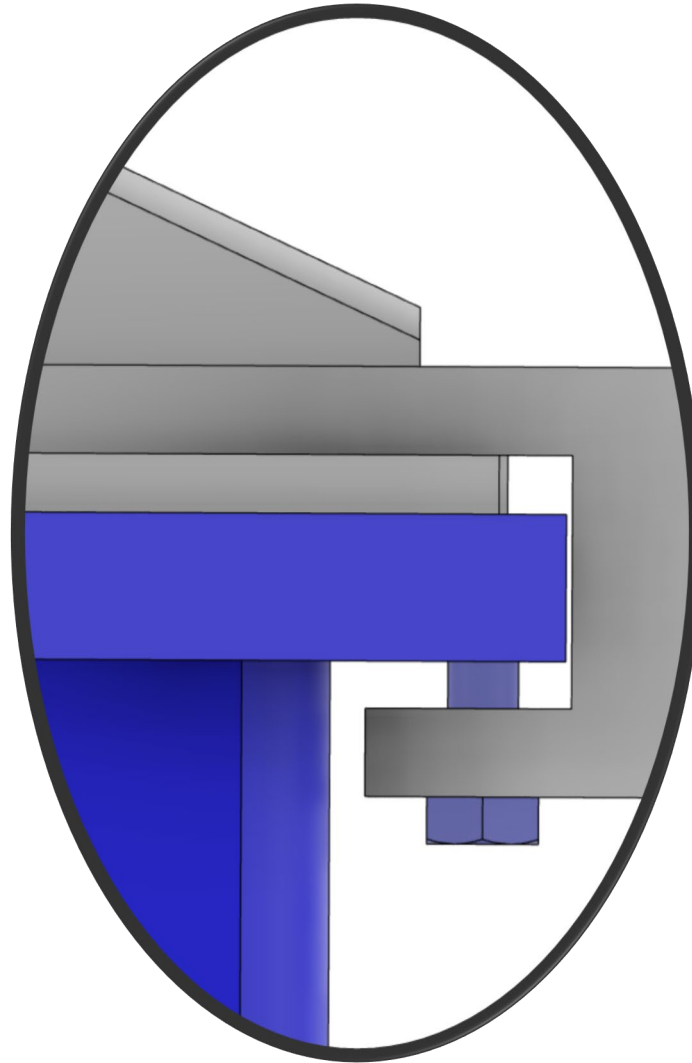
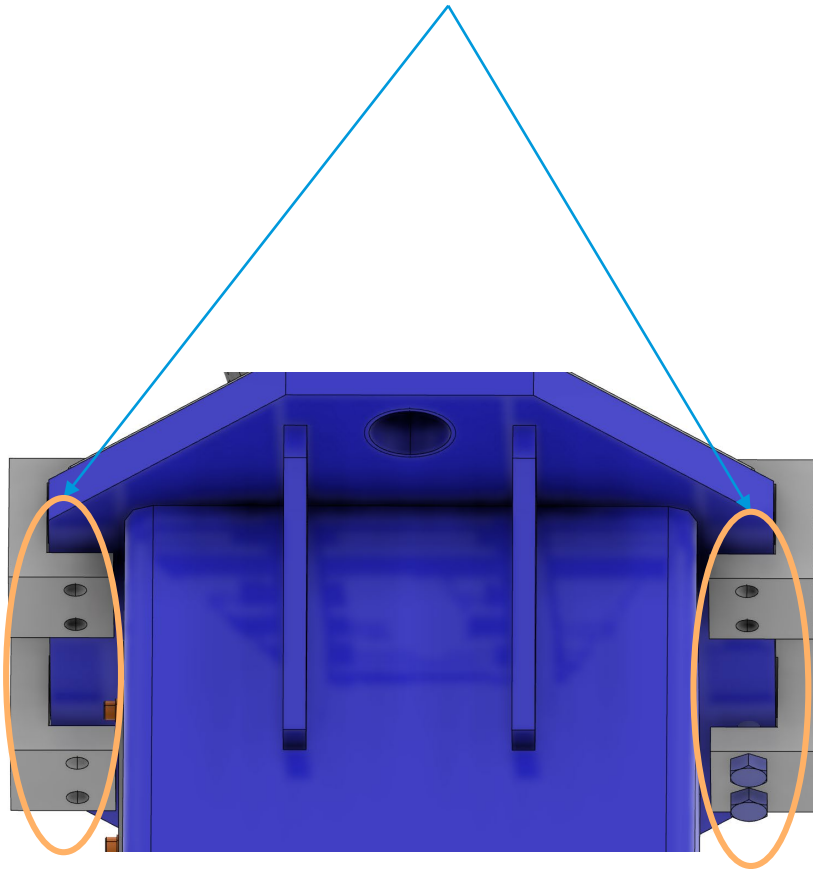
# Mobile Crane Design-V3

The crane will be mounted to both magnet supports acting as the main support of the crane avoiding flipping

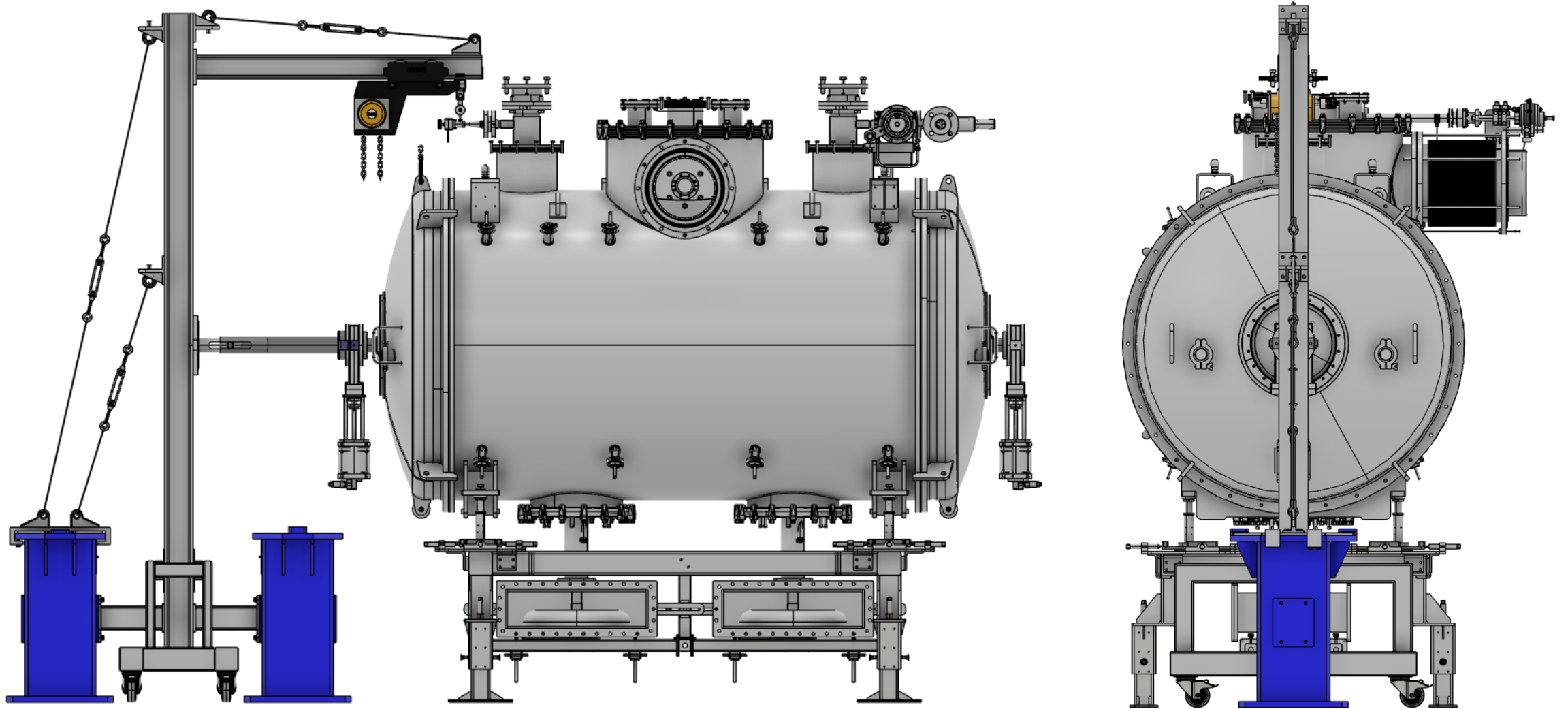


# Mobile Crane Design-V3

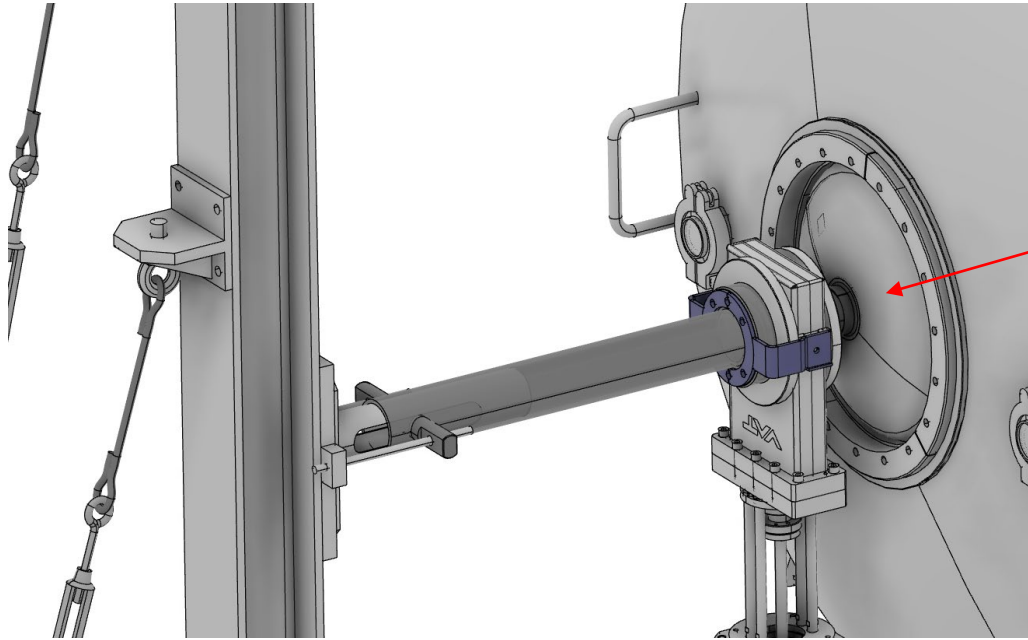
8 x M12 will be used for keeping the plate mounted to the supports and applying force



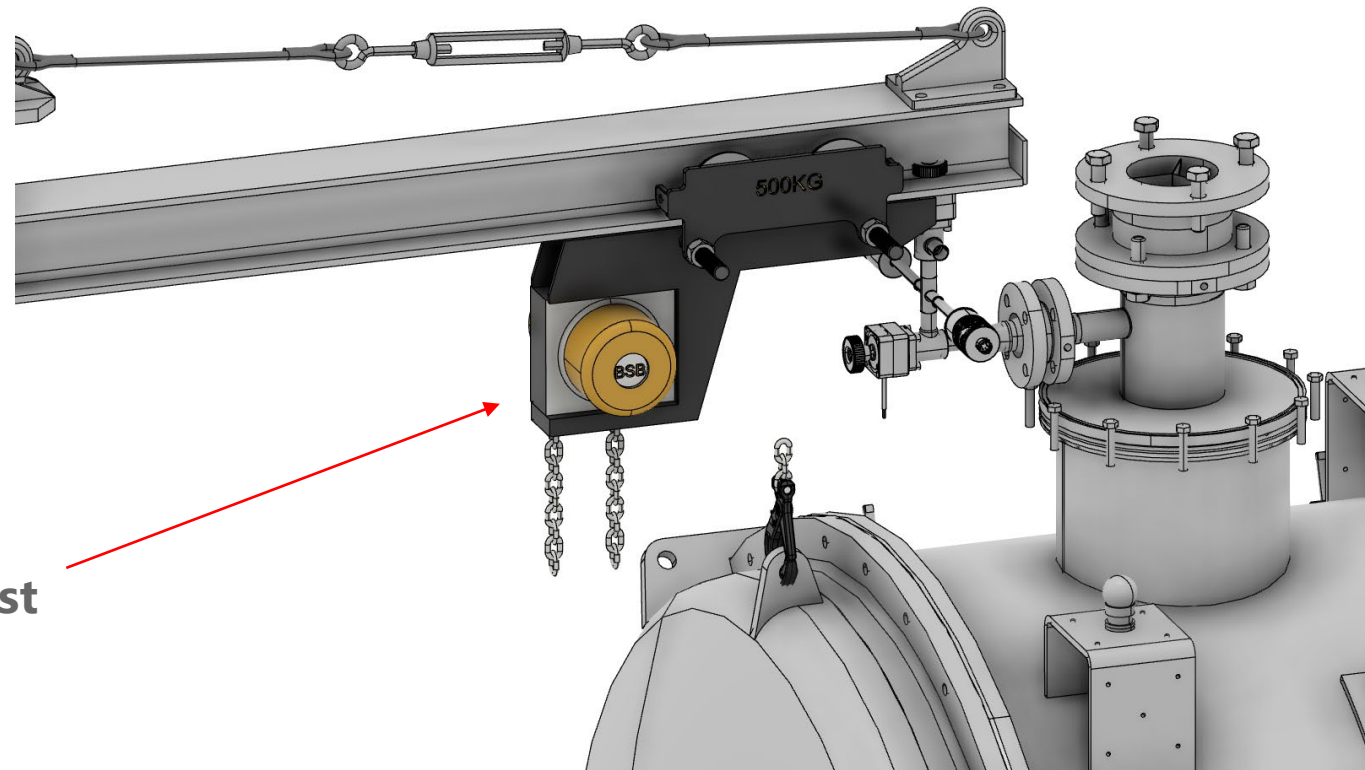
# Mobile Crane Design-V3



# Mobile Crane Design-V3



The mobile crane will be attached to the gate valve in order to avoid any movement.



**\*No motorized equipment will be used!**

**\*The mobile crane will use a manual chain hoist for lifting the lid.**



Thanks for your attention!

Questions?