

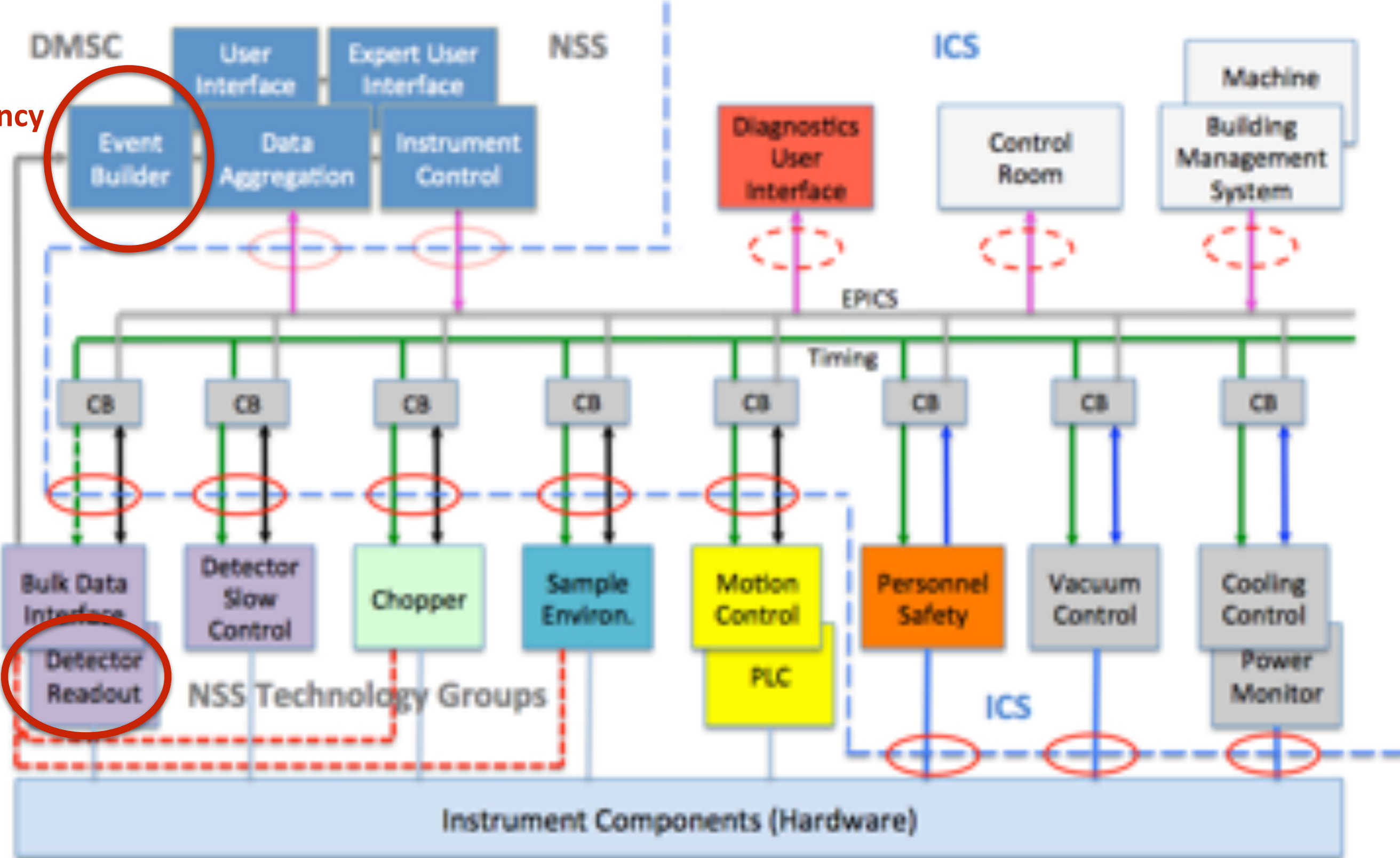
Where do we do the various stages of processing?

Need to understand levels of algorithms and advantages of doing it in different places

Need to understand what data we will actually get

Latency is an issue: need to understand limitations here.

latency



- Note that a data simulation and expectation is important to be able to make progress on several crucial parts of the design
- Different implications of running in various modes
  
- Local clustering
- Inter-Chip clustering
- uTPC algorithm
- Data re-packaging