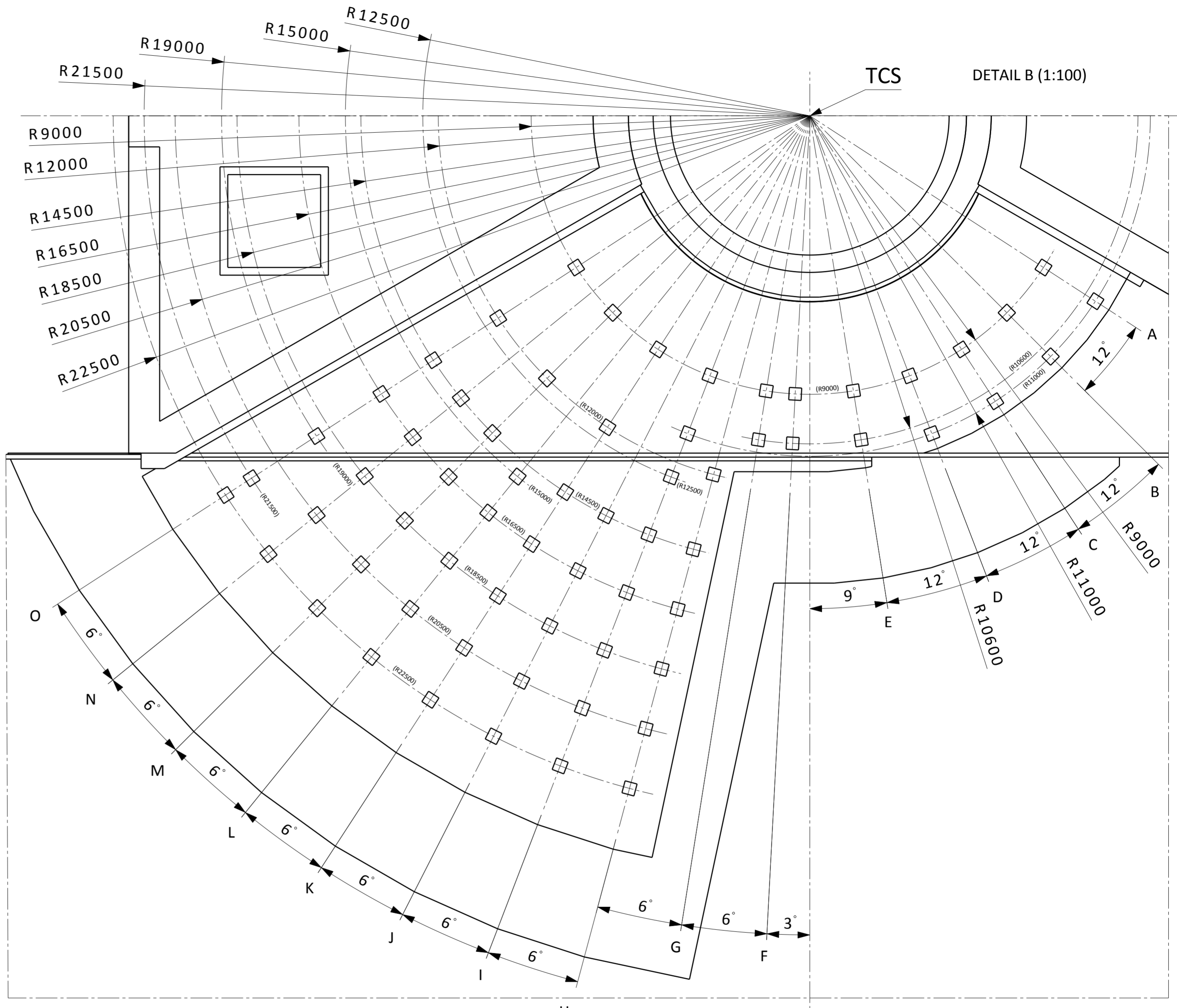
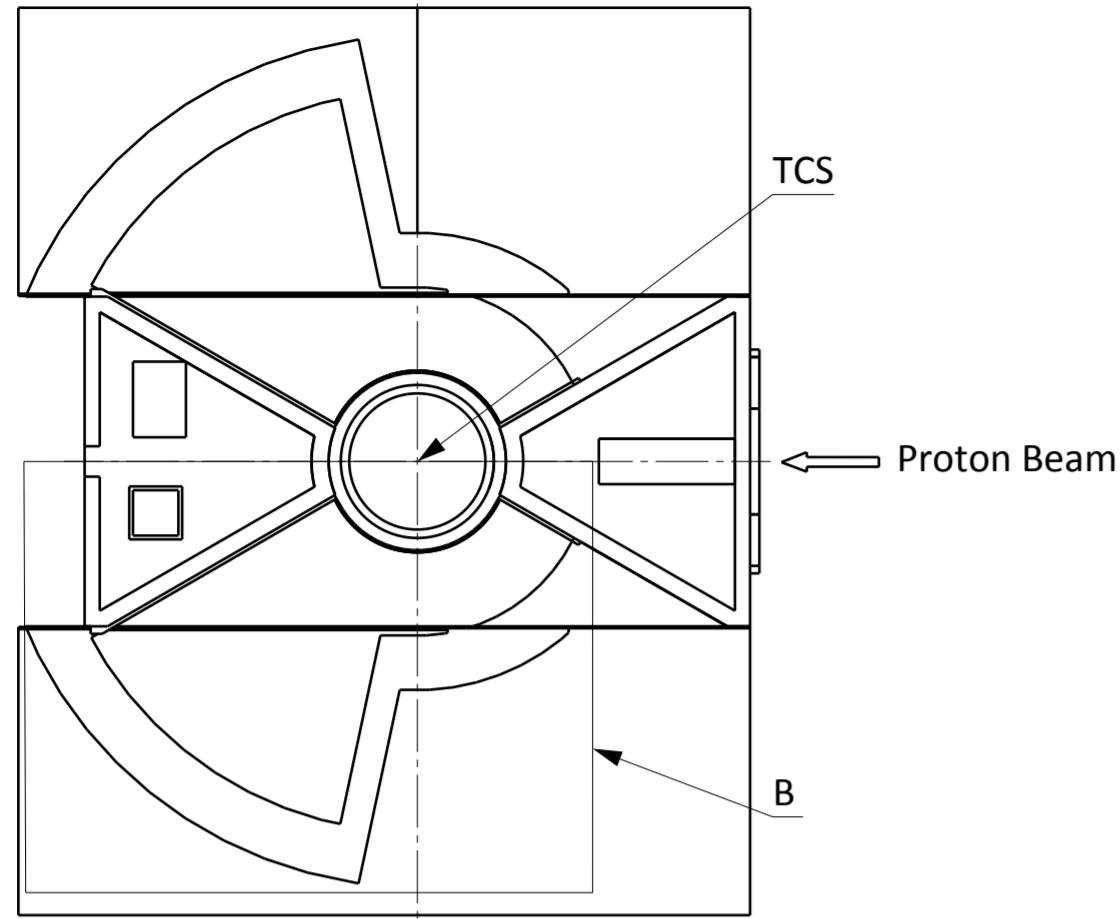


Individual column baseplate area approx. 0.16m² (400x400mm)

Column position static vertical load chart (t)

	A	B	C	D	E	F	G	H	I	J	K	L	M	N	O
R9000	55	55	55	55	55	28	28	-	55	-	55	-	55	-	55
R10600	-	-	-	-	Brace	Brace	Brace	-	-	-	-	-	-	-	-
R11000	Brace	Brace	Brace	Brace	-	-	-	-	Brace	-	-	-	-	-	-
R12000	-	-	-	-	-	-	-	34	-	-	67	-	67	-	34
R12500	-	-	-	-	-	-	-	-	34	-	-	-	-	-	-
R14500	-	-	-	-	-	-	-	34	34	34	50	-	50	34	34
R15000	-	-	-	-	-	-	-	-	-	-	-	50	-	-	-
R16500	-	-	-	-	-	-	-	34	34	34	34	34	34	34	50
R18500	-	-	-	-	-	-	-	38	38	38	38	38	38	38	-
R19000	-	-	-	-	-	-	-	-	-	-	-	-	-	-	55
R20500	-	-	-	-	-	-	-	42	42	42	42	42	42	42	-
R21500	-	-	-	-	-	-	-	-	-	-	-	-	-	-	60
R22500	-	-	-	-	-	-	-	42	42	42	42	42	42	42	60

ASSY WEIGHT: - kg		DRAWING TYPE; TITLE; SUPPLEMENTARY TITLE			
General Tolerances		Outline Drawing			
Linear Dimensions, Form and Position:		ISO 2768-mK		CF-Bunker Base	
Chamfers, Radii and Angular Dim's:		ISO 2768-vK		Support Pillar Loads	
SURFACE FINISH		Min. Ra 3.2		MODELED BY	
Documentation protection as per		ISO 16016		benjamindavidge	
DESIGN SITE		ESS Lund		DATE	
Zvonko Lazic		Zvonko Lazic		24/02/2016	
APPROVED BY		Zvonko Lazic		DATE	
Zvonko Lazic		Zvonko Lazic		26/02/2016	
CAD SOFTWARE		MC		SIZE	
CATIA V6		M4		A2	
SCALE		1:500		SHEET	
1/2		1		ESS-0051975.1	
LIFECYCLE LABEL		Release		REV.	
This drawing is produced to ISO 1101, 8015 and 1302		1		1/2	



Individual column baseplate area approx. 0.16m² (400x400mm)

Column position static vertical load chart (t)

	A	B	C	D	E	F	G	H	I	J	K	L	M	N	O
R9000	55	55	55	55	55	28	28	-	55	-	55	-	55	-	55
R10600	-	-	-	-	Brace	Brace	Brace	-	-	-	-	-	-	-	-
R11000	Brace	Brace	Brace	Brace	-	-	-	-	Brace	-	-	-	-	-	-
R12000	-	-	-	-	-	-	-	34	-	-	67	-	67	-	34
R12500	-	-	-	-	-	-	-	-	34	-	-	-	-	-	-
R14500	-	-	-	-	-	-	-	34	34	34	50	-	50	34	34
R15000	-	-	-	-	-	-	-	-	-	-	-	50	-	-	-
R16500	-	-	-	-	-	-	-	34	34	34	34	34	34	34	50
R18500	-	-	-	-	-	-	-	38	38	38	38	38	38	38	-
R19000	-	-	-	-	-	-	-	-	-	-	-	-	-	-	55
R20500	-	-	-	-	-	-	-	42	42	42	42	42	42	42	-
R21500	-	-	-	-	-	-	-	-	-	-	-	-	-	-	60
R22500	-	-	-	-	-	-	-	42	42	42	42	42	42	42	60

ASSY WEIGHT: - kg		DRAWING TYPE; TITLE; SUPPLEMENTARY TITLE			
General Tolerances		Outline Drawing			
Linear Dimensions, Form and Position: ISO 2768-mK		CF-Bunker Base			
Chamfers, Radii and Angular Dim's: ISO 2768-vK		Support Pillar Loads			
SURFACE FINISH Min. Ra 3.2		MODELED BY	DATE	DRAWING NUMBER	
Documentation protection as per ISO 16016		benjamindavidge	24/02/2016	ESS-0051975.1	
		DRAWN BY	DATE	LIFECYCLE LABEL	REV.
		benjamindavidge	24/02/2016	Release	1
		CHECKED BY	DATE	SHEET	
		Zvonko Lazic	26/02/2016	2/2	
		APPROVED BY	DATE	CAD SOFTWARE	MC
		Zvonko Lazic	26/02/2016	CATIA V6	SIZE
		This drawing is produced to ISO 1101, 8015 and 1302		SCALE	
				M4	A2
				1:500	



EUROPEAN SPALLATION SOURCE



DESIGN SITE
ESS Lund