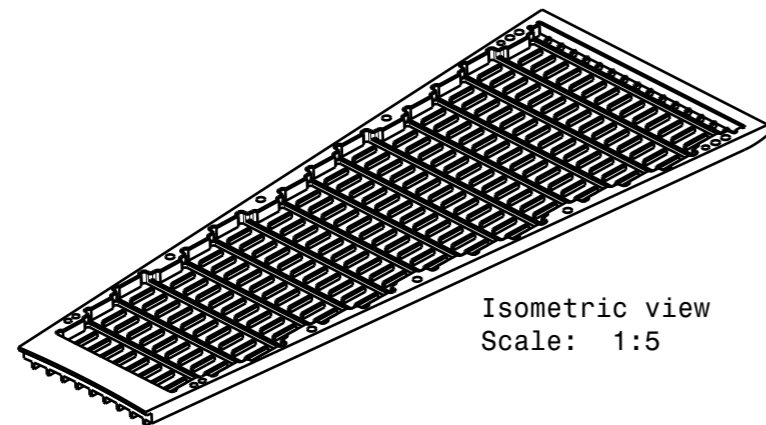
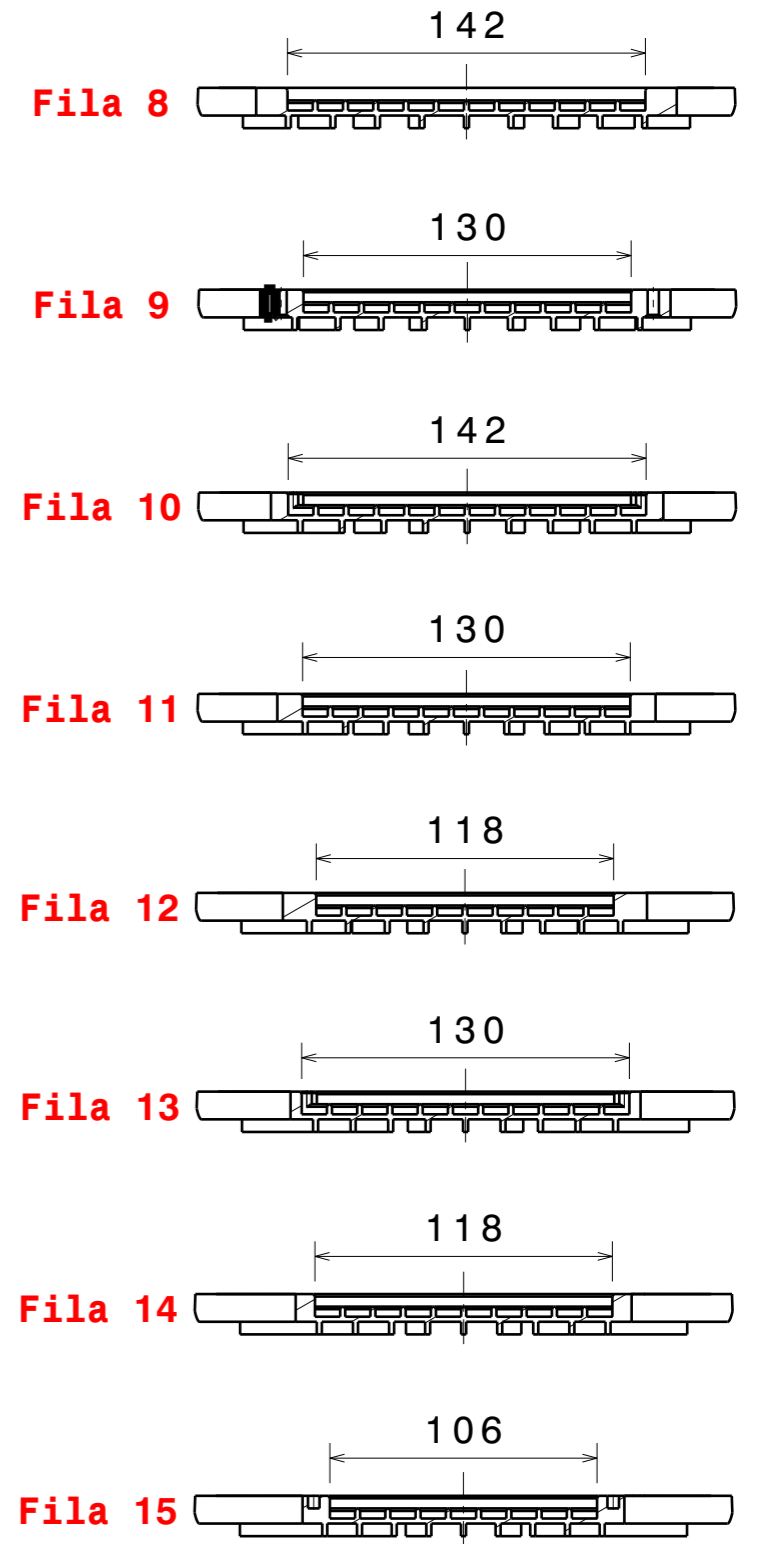
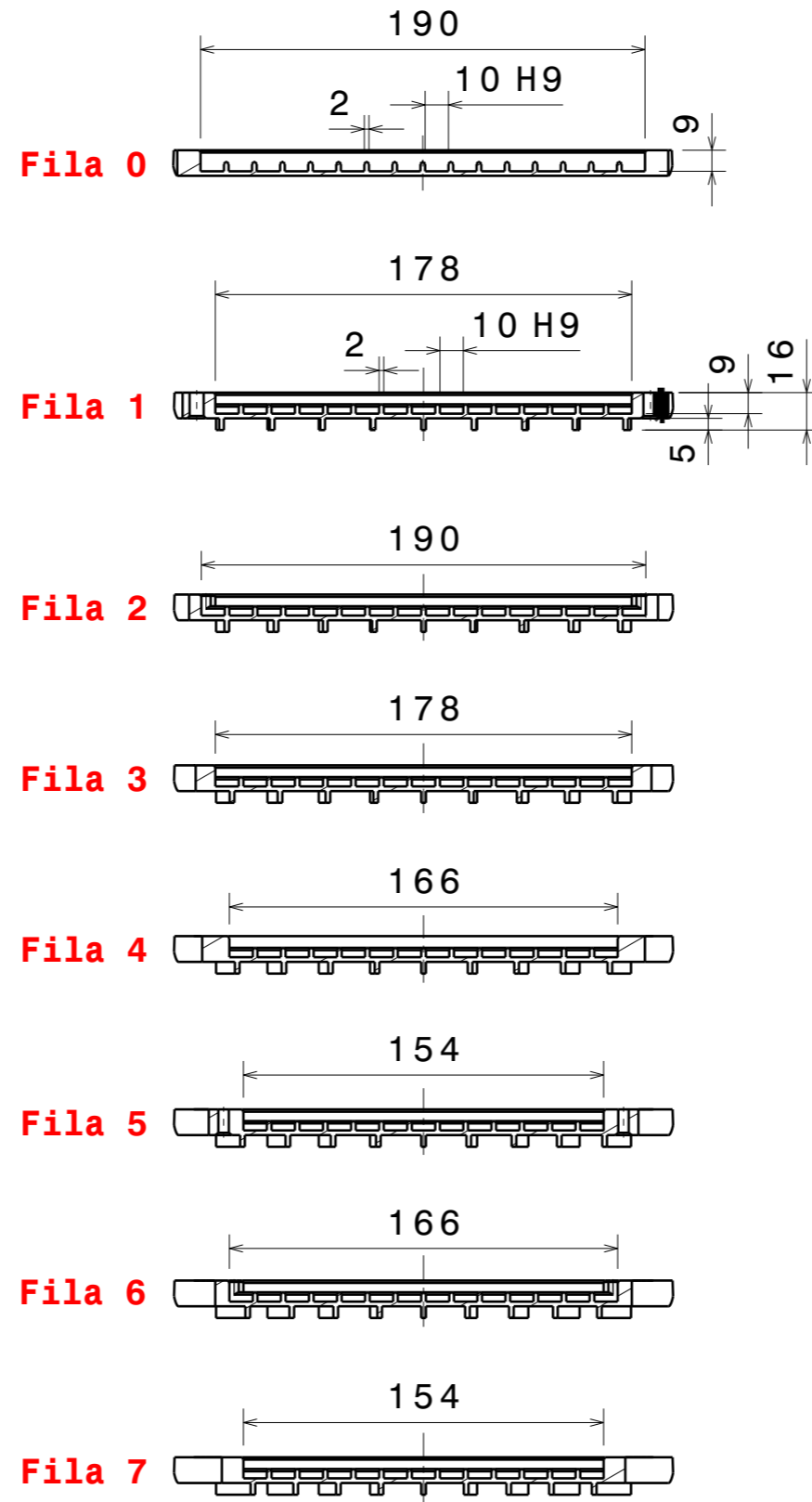



Front view



Isometric view  
Scale: 1:5



Acabado	rebarbar y romper aristas	Tolerancias generales en roscas DIN 13: 6H - 6g	 <b>ESS Bilbao</b> P.T. Zamudio c/ Laida Bidea 201, Pab 4 48170 ZAMUDIO (Bizkaia) tel: 946076855 www.essbilbao.org	MATERIAL: X2CrNiMo17-12-2	PESO (g): 3131																																			
ESS BILBAO Este plano, su formato y su contenido es propiedad de ESSbilbao y para uso estrictamente confidencial. No debe copiarse o distribuirse a terceros sin el permiso escrito de ESSbilbao		Tolerancias dimensionales generales: ISO 2768 - 1(m) Lineales																																						
		<table border="1"> <tr> <td>&gt;</td> <td>0,5</td> <td>6</td> <td>30</td> <td>120</td> <td>400</td> <td>1000</td> <td>2000</td> <td>4000</td> </tr> <tr> <td>≤</td> <td>6</td> <td>30</td> <td>120</td> <td>400</td> <td>1000</td> <td>2000</td> <td>4000</td> <td>4000</td> </tr> <tr> <td>tol</td> <td>±0.1</td> <td>±0.2</td> <td>±0.3</td> <td>±0.5</td> <td>±0.8</td> <td>±1.2</td> <td>±2</td> <td>±2</td> </tr> </table>	>	0,5	6	30	120	400	1000	2000	4000	≤	6	30	120	400	1000	2000	4000	4000	tol	±0.1	±0.2	±0.3	±0.5	±0.8	±1.2	±2	±2	MATERIAL: X2CrNiMo17-12-2										
>	0,5	6	30	120	400	1000	2000	4000																																
≤	6	30	120	400	1000	2000	4000	4000																																
tol	±0.1	±0.2	±0.3	±0.5	±0.8	±1.2	±2	±2																																
		<table border="1"> <tr> <td colspan="2">radio/chafán</td> <td colspan="4">ángulo</td> </tr> <tr> <td>&gt;</td> <td>0,5</td> <td>3</td> <td>6</td> <td>&gt;</td> <td>0</td> <td>10</td> <td>50</td> <td>120</td> <td>400</td> </tr> <tr> <td>≤</td> <td>3</td> <td>6</td> <td>-</td> <td>≤</td> <td>10</td> <td>50</td> <td>120</td> <td>400</td> <td>-</td> </tr> <tr> <td>tol</td> <td>±0.2</td> <td>±0.5</td> <td>±1</td> <td>tol</td> <td>±1'</td> <td>±30'</td> <td>±20'</td> <td>±10'</td> <td>±5'</td> </tr> </table>	radio/chafán		ángulo				>	0,5	3	6	>	0	10	50	120	400	≤	3	6	-	≤	10	50	120	400	-	tol	±0.2	±0.5	±1	tol	±1'	±30'	±20'	±10'	±5'	TÍTULO: Placa Superior (Cassette)	
radio/chafán		ángulo																																						
>	0,5	3	6	>	0	10	50	120	400																															
≤	3	6	-	≤	10	50	120	400	-																															
tol	±0.2	±0.5	±1	tol	±1'	±30'	±20'	±10'	±5'																															
Diseñado M. Mancisidor 18-2-16		Dibujado A. Ortega 24-2-16		N.º DE DIBUJO																																				
Verificado I. Rueda 24-2-16		Aprobado F. Sordo 24-6-16		TRGT-ESS-0106.01.01																																				
REVISADO		Rugosidad		A3																																				
		<table border="1"> <tr> <td>Ra</td> <td>50</td> <td>12.5</td> <td>6.3</td> <td>3.2</td> <td>1.6</td> <td>0.8</td> <td>0.4</td> <td>0.2</td> </tr> <tr> <td>DIN</td> <td>~</td> <td>▽</td> <td>▽</td> <td>▽</td> <td>▽</td> <td>▽</td> <td>▽</td> <td>▽</td> </tr> </table>		Ra	50	12.5	6.3	3.2	1.6	0.8	0.4	0.2	DIN	~	▽	▽	▽	▽	▽	▽	▽	ESCALA: 1:3																		
Ra	50	12.5	6.3	3.2	1.6	0.8	0.4	0.2																																
DIN	~	▽	▽	▽	▽	▽	▽	▽																																
				HOJA 4 DE 4																																				