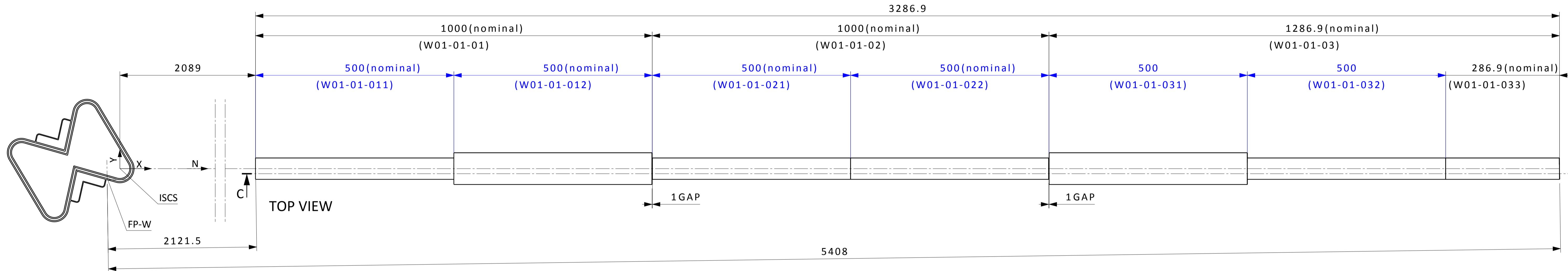
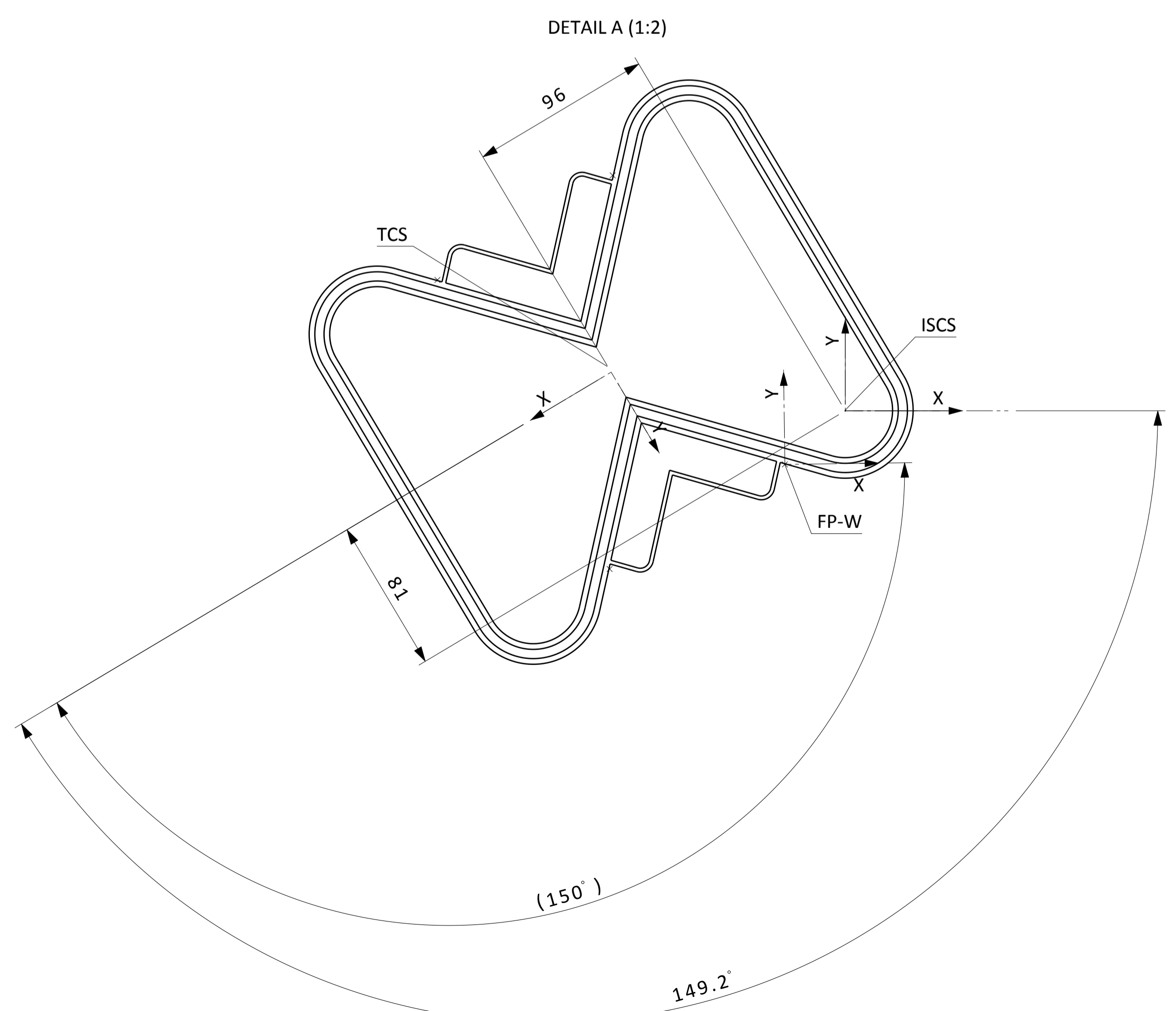


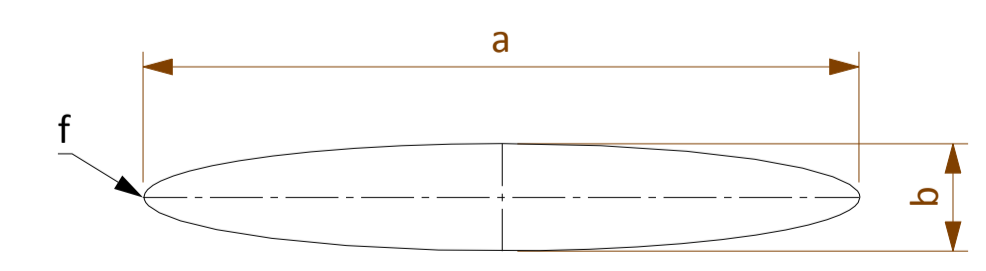
SIDE VIEW



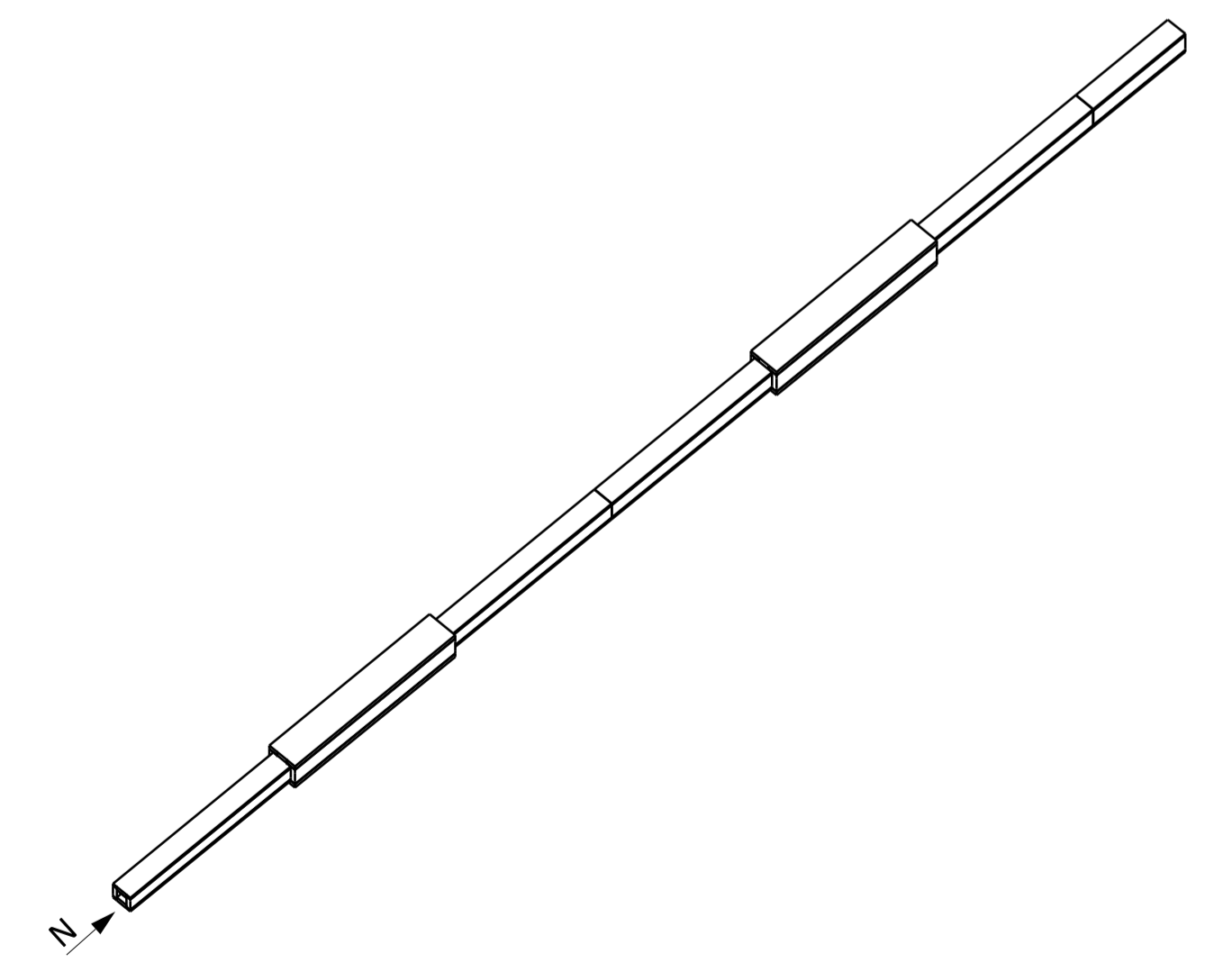
TOP VIEW



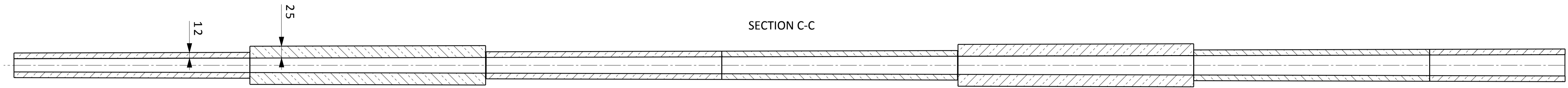
DETAIL A (1:2)



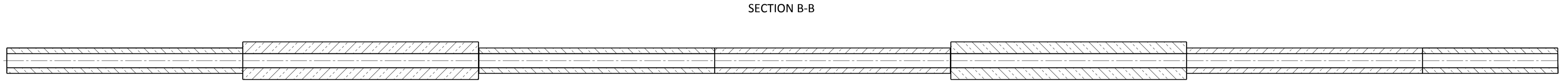
Notes:
 TCS = Target coordinate system
 FP-S = Moderator south sector focal point.
 ISCS = Instrument source coordinate system. Source point of instrument optical system on moderator. Defined by instrument team as translation and/or rotation from TCS.
 Implementation on beamport W01



ASSY WEIGHT: - kg		DRAWING TYPE, TITLE, SUPPLEMENTARY TITLE	
General Tolerances		NMX NBOA Assembly	
Linear Dimensions, Form and Position		R2-R5.5	
Chamfers, Radii and Angular Dim's		MODELED BY	DRAWING NUMBER
SURFACE FINISH Min. Ra 3.2		eriknilsson	ESS-0106554.2
Documentation protection as per ISO 16016		DRAWN BY	DRAWING RELEASED
ISO 16016		eriknilsson	
EUROPEAN SPALLATION SOURCE		CHECKED BY	LIFECYCLE LABEL
DESIGN SITE		APPROVED BY	REV. SHEET
ESS Lund		QUALITY CONTROLLED BY	Preliminary 1.0 1/2
			LEVEL OF MATURITY MC SIZE SCALE
			M4 A1 1:5
			Produced to ISO 1101, 8015 and 1302

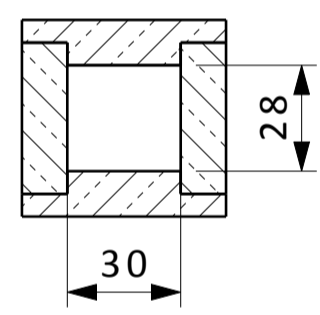


SECTION C-C

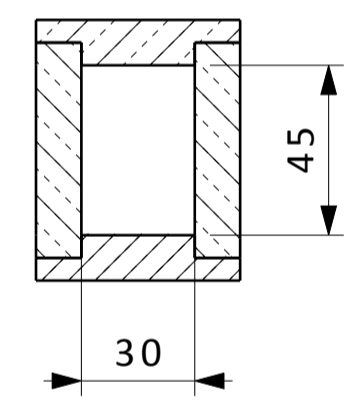



SECTION B-B

SECTION A-A
AT 2089mm
SCALE 1:2



SECTION B-B
AT 5375,9mm
SCALE 1:2



ASSY WEIGHT: - kg General Tolerances Linear Dimensions, Form and Position: ISO 2768-mK Chamfers, Radii and Angular Dim's: ISO 2768-vK SURFACE FINISH Min. Ra 3.2 Documentation protection as per ISO 16016		DRAWING TYPE, TITLE, SUPPLEMENTARY TITLE NMX NBOA Assembly R2-R5.5 MODELED BY eriknilsson DRAWN BY eriknilsson CHECKED BY APPROVED BY QUALITY CONTROLLED BY		DRAWING CREATED 18/04/2017 DRAWING RELEASED DRAWING NUMBER ESS-0106554.2 LIFECYCLE LABEL REV. 1.0 SHEET 2/2 LEVEL OF MATURITY MC SIZE A1 SCALE 1:5 Produced to ISO 1101, 8015 and 1302	
 EUROPEAN SPALLATION SOURCE DESIGN SITE ESS Lund					